



Use & Care

G U I D E

Microwave Hood Combination



A Note to You	2
Microwave Oven Safety	3
Installation Instructions	6
Getting to Know Your Microwave Oven	7
How your microwave oven works	7
Radio interference	7
Testing your microwave oven	7
Testing your dinnerware or cookware	8
Operating tips	8
Electrical connection	8
Microwave oven features	9
Control panel features	10
Using the cooking rack	13
Using the exhaust fan	13
Using the cooktop/countertop light	14
Setting the clock	14
Using the minute timer	15
Using JET START™ feature	16
Changing preset cooking times	16
Microwave Oven Use	17
Cooking at high cook power	17
Cooking at different cook powers	17
Cooking in stages	19
Progress Bar	20
Using COOK	21
Using REHEAT	22
Using WARM HOLD	24
Using STEAM COOK	24
Using JET DEFROST™ feature	26
JET DEFROST™ feature chart	27
Defrosting tips	29
Using SIMMER COOK	30
Sensor ONE TOUCH Cooking	31
Using Sensor ONE TOUCH Cooking	31
Sensor ONE TOUCH cooking chart	32
Cooking Guide	33
Microwave Oven Care	34
Caring for the filters	35
Replacing the cooktop and oven lights	36
Questions and Answers	37
Troubleshooting	38
Assistance or Service	39
Warranty	40

1-800-461-5681

Call our Customer Interaction Center with questions or comments.

MODEL YGH8155XJ

4619-652-60332/8183970

www.whirlpool.com/canada

A NOTE TO YOU

Thank you for buying a WHIRLPOOL® appliance.

The Whirlpool® Brand is committed to designing quality products that consistently perform for you to make your life easier. To ensure that you enjoy years of trouble-free operation, we developed this Use and Care Guide. It is full of valuable information about how to operate and maintain your appliance properly. Please read it carefully.

Also, complete and mail the **Product Registration Card** provided with your appliance. The card helps us notify you about any new information on your appliance.

Please record your model's information.

Whenever you call to request service for your appliance, you need to know your complete model number and serial number. You can find this information on the model and serial number label/plate (see the diagram in the "Getting to Know Your Microwave Oven" section).

Please also record the purchase date of your appliance and your dealer's name, address, and telephone number.

Model Number _____

Serial Number _____

Purchase Date _____

Dealer Name _____

Dealer Address _____

Dealer Phone _____

Keep this book and the sales slip together in a safe place for future reference. It is important for you to save your sales receipt showing the date of purchase. Proof of purchase will assure you of in-warranty service.

Our Customer Interaction Center number is toll free.

1-800-461-5681

To find detailed product information, the location of the nearest Whirlpool dealer or designated servicer, to purchase an accessory item, or register your appliance on-line, please visit our Web site at www.whirlpool.com/canada

MICROWAVE OVEN SAFETY

Your safety and the safety of others are very important.

We have provided many important safety messages in this manual and on your appliance. Always read and obey all safety messages.



This is the safety alert symbol.

This symbol alerts you to potential hazards that can kill or hurt you and others.

All safety messages will follow the safety alert symbol and either the word "DANGER" or "WARNING." These words mean:

⚠ DANGER

You can be killed or seriously injured if you don't immediately follow instructions.

⚠ WARNING

You can be killed or seriously injured if you don't follow instructions.

All safety messages will tell you what the potential hazard is, tell you how to reduce the chance of injury, and tell you what can happen if the instructions are not followed.

IMPORTANT SAFETY INSTRUCTIONS

When using electrical appliances basic safety precautions should be followed, including the following:

WARNING: To reduce the risk of burns, electric shock, fire, injury to persons, or exposure to excessive microwave energy:

- Read all instructions before using the microwave oven.
- Read and follow the specific "PRECAUTIONS TO AVOID POSSIBLE EXPOSURE TO EXCESSIVE MICROWAVE ENERGY" found in this section.
- The microwave oven must be grounded. Connect only to properly grounded outlet. See "GROUNDING INSTRUCTIONS" found in this section and in the provided installation instructions.
- Install or locate the microwave oven only in accordance with the provided Installation Instructions.
- Some products such as whole eggs in the shell and sealed containers – for example, closed glass jars – may explode and should not be heated in the microwave oven.
- Use the microwave oven only for its intended use as described in this manual. Do not use corrosive chemicals or vapors in the microwave oven. This type of oven is specifically designed to heat, cook, or dry food. It is not designed for industrial or laboratory use.
- As with any appliance, close supervision is necessary when used by children.
- Do not operate the microwave oven if it has a damaged cord or plug, if it is not working properly, or if it has been damaged or dropped.
- The microwave oven should be serviced only by qualified service personnel. Call an authorized service company for examination, repair, or adjustment.
- See door surface cleaning instructions in the "Microwave Oven Care" section.
- To reduce the risk of fire in the oven cavity:
 - Do not overcook food. Carefully attend the microwave oven if paper, plastic, or other combustible materials are placed inside the oven to facilitate cooking.
 - Remove wire twist-ties from paper or plastic bags before placing bags in oven.
 - If materials inside the oven should ignite, keep oven door closed, turn oven off, and disconnect the power cord, or shut off power at the fuse or circuit breaker panel.
 - Do not use the cavity for storage purposes. Do not leave paper products, cooking utensils, or food in the cavity when not in use.
- Suitable for use above both gas and electric cooking equipment.
- Intended to be used above ranges with maximum width of 36 inches.

SAVE THESE INSTRUCTIONS

IMPORTANT SAFETY INSTRUCTIONS

- Clean Ventilating Hoods Frequently - Grease should not be allowed to accumulate on hood or filter.
- Oversized foods or oversized metal utensils should not be inserted in the microwave oven as they may create a fire or risk of electric shock.
- Do not clean with metal scouring pads. Pieces can burn off the pad and touch electrical parts involving a risk of electric shock.
- Do not use paper products when appliance is operated in the "PAN BROWN" mode (on models with this feature).
- Do not store any materials other than manufacturer's recommended accessories in this oven when not in use.
- Do not store anything directly on top of the microwave oven when the microwave oven is in operation.
- When flaming foods under the hood, turn the fan on.
- Use care when cleaning the vent-hood filter. Corrosive cleaning agents, such as lye-based oven cleaners, may damage the filter.
- Do not cover or block any openings on the microwave oven.
- Do not store this microwave oven outdoors. Do not use the microwave oven near water – for example, near a kitchen sink, in a wet basement, or near a swimming pool, and the like.
- Do not immerse cord or plug in water.
- Keep cord away from heated surfaces.
- Do not let cord hang over edge of table or counter.
- Do not mount over a sink.
- Do not cover racks or any other part of the oven with metal foil. This will cause overheating of the oven.

SAVE THESE INSTRUCTIONS

PRECAUTIONS TO AVOID POSSIBLE EXPOSURE TO EXCESSIVE MICROWAVE ENERGY

- (a) Do not attempt to operate this oven with the door open since open-door operation can result in harmful exposure to microwave energy. It is important not to defeat or tamper with the safety interlocks.
- (b) Do not place any object between the oven front face and the door or allow soil or cleaner residue to accumulate on sealing surfaces.
- (c) Do not operate the oven if it is damaged. It is particularly important that the oven door close properly and that there is no damage to the:
 - (1) Door (bent),
 - (2) Hinges and latches (broken or loosened),
 - (3) Door seals and sealing surfaces.
- (d) The oven should not be adjusted or repaired by anyone except properly qualified service personnel.

ELECTRICAL REQUIREMENTS

Observe all governing codes and ordinances. A 120 Volt, 60 Hz, AC only, 15- or 20-amp fused electrical supply is required. (A time-delay fuse is recommended.) It is recommended that a separate circuit serving only this appliance be provided.

! WARNING



Electrical Shock Hazard

Plug into a grounded 3 prong outlet.

Do not remove ground prong.

Do not use an adapter.

Do not use an extension cord.

Failure to follow these instructions can result in death, fire, or electrical shock.

GROUNDING INSTRUCTIONS

- **For all cord connected appliances:**

The microwave oven must be grounded. In the event of an electrical short circuit, grounding reduces the risk of electric shock by providing an escape wire for the electric current. The microwave oven is equipped with a cord having a grounding wire with a grounding plug. The plug must be plugged into an outlet that is properly installed and grounded.

WARNING: Improper use of the grounding plug can result in a risk of electric shock.

Consult a qualified electrician or serviceman if the grounding instructions are not completely understood, or if doubt exists as to whether the microwave oven is properly grounded.

Do not use an extension cord. If the power supply cord is too short, have a qualified electrician or serviceman install an outlet near the microwave oven.

- **For a permanently connected appliance:**

The microwave oven must be connected to a grounded, metallic, permanent wiring system, or an equipment grounding conductor should be run with the circuit conductors and connected to the equipment grounding terminal or lead on the microwave oven.

SAVE THESE INSTRUCTIONS

INSTALLATION INSTRUCTIONS

REMOVING AND REPLACING THE MICROWAVE HOOD COMBINATION

⚠ WARNING

Excessive Weight Hazard

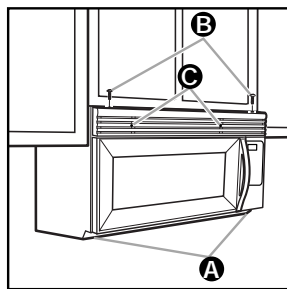
Use two or more people to move and install microwave oven.

Failure to do so can result in back or other injury.

If you need to remove your Microwave Hood Combination for any reason, follow these simple steps:

To remove:

1. Unplug microwave oven or disconnect power.
2. Remove filters and vent grille.

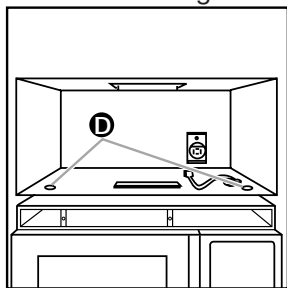


- If filters **A** are installed, push in at the tab and slide filter to the outside edge to remove.
- Remove the two screws **B** from the top of the microwave oven cabinet (the screws located closest to the front corners). Do not remove

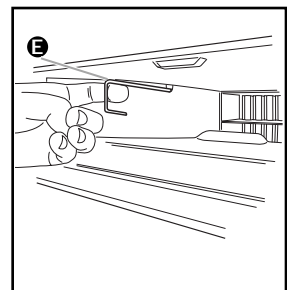
the screws located towards the center of the cabinet.

- Remove the vent grille **C**. Set the screws and grille aside. (If grille cannot be removed, see Step 4.)

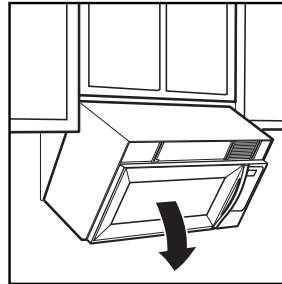
3. After removing all oven contents, including the turntable and support, tape the door in the closed position. Then remove the two bolts **D** securing the microwave oven to the upper cabinet.



4. Hold microwave hood combination in place with one hand. Pull hook **E** to release microwave hood from mounting plate. If grille cannot be removed (per instructions in Step 2.), insert a thin looped wire or similar tool through an opening in grille to pull hook.



5. Grasp the microwave oven. Rotate the microwave oven downward. (Be careful that door does not swing open.)



6. Lift off the support tabs **F** at the bottom of the mounting plate. Set the microwave oven aside on a protected surface.



To replace:

1. Carefully lift microwave oven and hang it on the support tabs at the bottom of the mounting plate.
2. Rotate the front of the microwave oven cabinet downward. Thread the power supply cord through the power supply cord hole in the bottom of the upper cabinet.
3. Rotate the microwave oven towards the cabinet. Push the microwave oven against the mounting plate until locking latch snaps into the cabinet.
4. Replace the two bolts securing the microwave oven to the upper cabinet.
5. Untape the door and replace the turntable and support.
6. Replace the vent grille.
7. Replace the two screws in the top of microwave oven cabinet (the screws located closest to front corners).
8. If filters were installed, replace them (see "Caring for the filters" in the "Microwave Oven Care" section, if needed).
9. Plug in microwave oven or reconnect power.

GETTING TO KNOW YOUR MICROWAVE OVEN

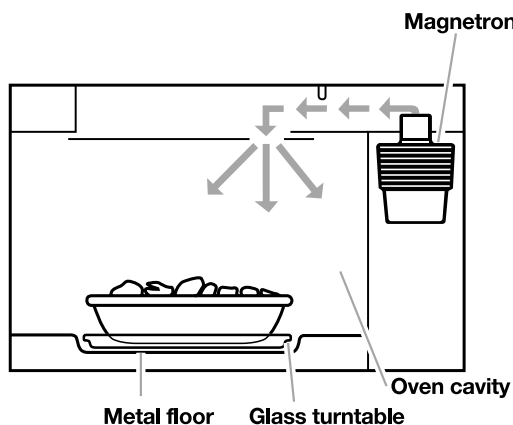
This section discusses the concepts behind microwave cooking. It also shows you the basics you need to know to operate your microwave oven. Please read this information before you use your oven.

HOW YOUR MICROWAVE OVEN WORKS

Microwave energy is not hot. It causes food to make its own heat, and it's this heat that cooks the food.

Microwaves are like TV waves, radio waves, or light waves. You cannot see them, but you can see what they do.

A magnetron in the microwave oven produces microwaves. The microwaves move into the oven where they contact food as it turns on the turntable.



The glass turntable of your microwave oven lets microwaves pass through. Then they bounce off a metal floor, back through the glass turntable, and are absorbed by the food.

Microwaves pass through most glass, paper, and plastics without heating them so food absorbs the energy. Microwaves bounce off metal containers so food does not absorb the energy.

For the best cooking results

- **Always cook food** for the shortest cooking time recommended. Check to see how the food is cooking. If needed, **touch** the JET START™ feature pad while the oven is operating or after the cooking cycle is over (see the “Using JET START™ feature” section).
- **To help make sure the food is evenly cooked, stir, turn over, or rearrange** the food about halfway through the cooking time.
- **If you do not have a cover for a dish**, use wax paper, or microwave-approved paper towels or plastic wrap. Remember to turn back a corner of the plastic wrap $\frac{1}{4}$ to $\frac{1}{2}$ in. (6.35 to 12.7 mm) to vent steam during heating or cooking.

RADIO INTERFERENCE

Using your microwave oven may cause interference to your radio, TV, or similar equipment. When there is interference, you can reduce it or remove it by:

- **Cleaning** the door and sealing surfaces of the oven.

- **Adjusting** the receiving antenna of the radio or television.
- **Moving** the receiver away from the microwave oven.
- **Plugging** the microwave oven into a different outlet so that the microwave oven and receiver are on different branch circuits.

TESTING YOUR MICROWAVE OVEN

To test the oven, put 1 cup (250 mL) of cold water in a glass container in the oven. Close the door. Make sure it latches. Cook at 100% power for

2 minutes. When the time is up, the water should be heated.

TESTING YOUR DINNERWARE OR COOKWARE

Test dinnerware or cookware before using.

To test a dish, put it into the oven with 1 cup (250 mL) of water beside it. Cook at 100% cook power for one minute. **If the dish gets hot and water stays cool, do not use it.** Some dishes (melamine, some ceramic dinnerware, etc.)

absorb microwave energy, and may become too hot to handle or may slow cooking times. Cooking in metal containers not designed for microwave use could damage the oven, as could containers with hidden metal (twist-ties, foil lining, staples, metallic glaze or trim).

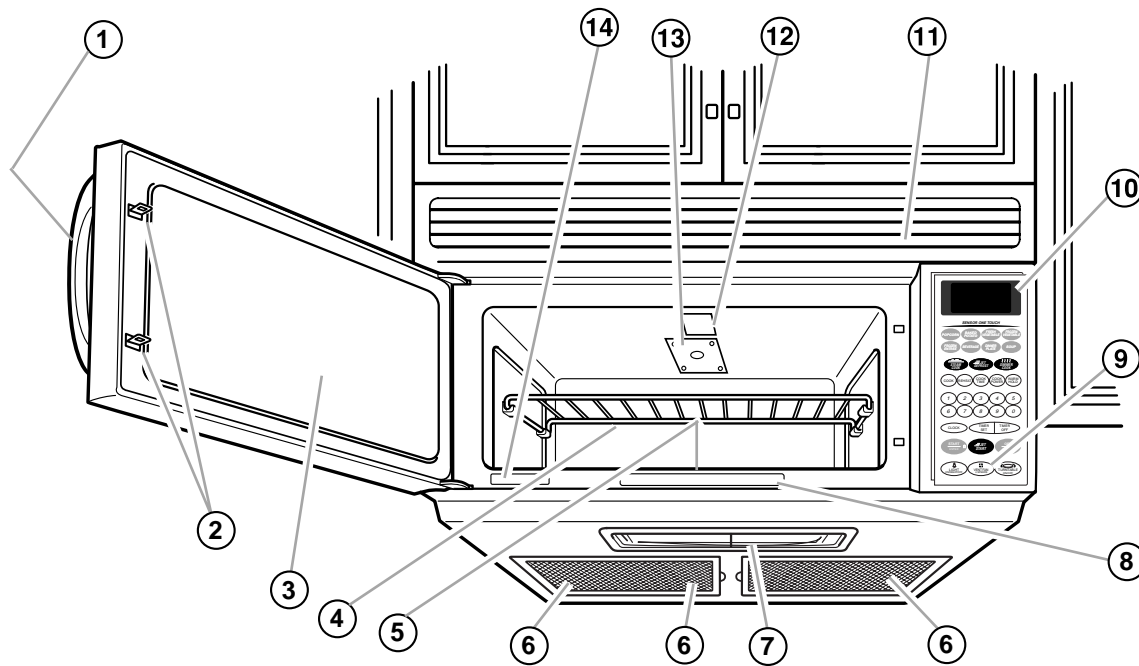
OPERATING TIPS

- **Never** lean on the door or allow a child to swing on it when the door is open.
- **Use hot pads.** Microwave energy does not heat containers, but the heat from the food can make the container hot.
- **Do not** use newspaper or other printed paper in the oven.
- **Do not** dry flowers, fruit, herbs, wood, paper, gourds, or clothes in the oven.
- **Do not** start a microwave oven when it is empty. Product life may be shortened. If you practice programming the oven, **put** a container of water in the oven. It is normal for the oven door to look wavy after the oven has been running for a while.
- **Do not** try to melt paraffin wax in the oven. Paraffin wax will not melt in a microwave oven because it allows microwaves to pass through it.
- **Do not** operate the microwave oven unless the glass turntable is securely in place and can rotate freely. The turntable can rotate in either direction. **Make sure** the turntable is correct-side up in the oven. **Handle your turntable with care** when removing it from the oven to avoid possibly breaking it. If your turntable cracks or breaks, contact your dealer for a replacement.
- **When you use a browning dish**, the browning dish bottom must be at least $\frac{3}{16}$ in. (5 mm) above the turntable. Follow the directions supplied with the browning dish.
- **Never cook or reheat a whole egg inside the shell.** Steam buildup in whole eggs may cause them to burst, and possibly damage the oven. **Slice** hard-boiled eggs before heating. In rare cases, poached eggs have been known to explode. **Cover** poached eggs and **allow** a standing time of one minute before cutting into them.
- **For best results, stir any liquid several times during heating or reheating.** Liquids heated in certain containers (especially containers shaped like cylinders) may become overheated. The liquid may splash out with a loud noise during or after heating or when adding ingredients (coffee granules, tea bags, etc.). This can damage the oven.
- **Microwaves** may not reach the center of a roast. The heat spreads to the center from the outer, cooked areas just as in regular oven cooking. This is one of the reasons for letting some foods (for example, roasts or baked potatoes) stand for a while after cooking, or for stirring some foods during the cooking time.
- **Do not deep fry in the oven.** Microwavable utensils are not suitable and it is difficult to maintain appropriate deep-frying temperatures.
- **Do not overcook potatoes.** At the end of the recommended cooking time, potatoes should be slightly firm because they will continue cooking during standing time. **After microwaving, let potatoes stand for 5 minutes.** They will finish cooking while standing.

ELECTRICAL CONNECTION

If your electric power line or outlet voltage is less than 110 volts, cooking times may be longer. Have a qualified electrician check your electrical system.

MICROWAVE OVEN FEATURES

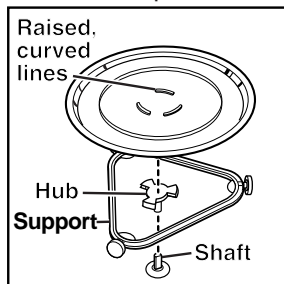


Your microwave oven is designed to make your cooking experience as enjoyable and productive as possible. To help get you up and running quickly, the following is a list of the oven's basic features:

- 1. Door Handle.** Pull to open door.
- 2. Door Safety Lock System.** The oven will not operate unless the door is securely closed.
- 3. Window with Metal Shield.** Shield prevents microwaves from escaping. It is designed as a screen to allow you to view food as it cooks.
- 4. Cooking Rack** (Part No. 4393826). Use for extra space when cooking in more than one container at the same time.
- 5. Glass Turntable** (Part No. 4393751) (not shown). Included in oven cavity – see below for installation instructions. This turntable turns food as it cooks for more even cooking. It must be in the oven during operation for best cooking results. The turntable is sunken into the cavity floor to give you more cooking space and better cooking results.
- 6. Charcoal and Grease Filters.** Included in oven cavity.
- 7. Cooktop/Countertop Light.** Turn on to light your cooktop or countertop or turn on as a night light.
- 8. Cooking Guide Label.** Use as a quick reference for COOK, REHEAT, JET DEFROST™ feature, and Sensor ONE TOUCH Cook settings.
- 9. Exhaust Fan and Cooktop Light Switches.**
- 10. Control Panel.** Touch the pads on this panel to perform all functions.
- 11. Vent Grille.**
- 12. Oven Cavity Light.**
- 13. Microwave Inlet Cover.**
- 14. Model and Serial Number Plate.**
- 15. TupperWare® Oval Steamer, by Tupperware (not shown).** Use the Oval Steamer with the Steaming Grid in place for foods such as fish, vegetables and potatoes. Use the Oval Steamer without the Steaming Grid in place for foods such as rice, pasta and white beans.

To install turntable and support:

- Remove tape from the hub (Part No. 4393754).
- Place the support (Part No. 4393752) on the cavity bottom.
- Place the turntable on the hub. Make sure the raised, curved lines in the center of the turntable bottom are between the three "spokes" of the hub.



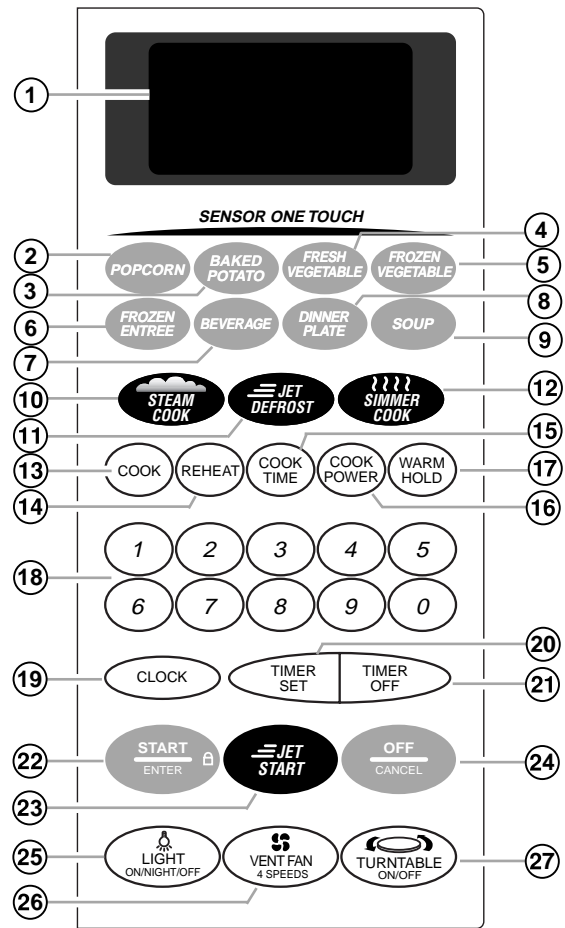
- The rollers (Part No. 4393753) on the support fit inside the ridge on the bottom of the turntable.
- The turntable turns both clockwise and counterclockwise. This is normal.

CONTROL PANEL FEATURES

Your microwave oven control panel lets you select a desired cooking function quickly and easily. The following is a list of all the Command pads located on the control panel.

For more information on these features, see “Microwave Oven Use” section.

1. **Display.** This display includes a clock and indicators to tell you the time of day, cooking time settings, and cooking functions you chose.
2. **POPCORN.** Touch this pad when popping popcorn in your microwave oven. The oven’s sensor determines the cooking time based on the serving size.
3. **BAKED POTATO.** Touch this pad to bake 1 to 4 potatoes, without entering a cook power or time. The oven’s sensor will tell the oven how long to cook depending on the amount of humidity it detects from the potato(es).
4. **FRESH VEGETABLE.** Touch this pad to cook 1 to 4 cups (250 to 1 L) of a fresh vegetable, without entering a cook power or time. The oven’s sensor will tell the oven how long to cook depending on the amount of humidity it detects from the vegetables.
5. **FROZEN VEGETABLE.** Touch this pad to cook 1 to 4 cups (250 to 1 L) of a frozen vegetable, without entering a cook power or time. The oven’s sensor will tell the oven how long to cook depending on the amount of humidity it detects from the vegetables.
6. **FROZEN ENTREE.** Touch this pad to cook a 10- or 20-ounce (283 or 567 g) frozen entree, without entering a cook power or time. The oven’s sensor will tell the oven how long to cook depending on the amount of humidity it detects from the frozen entree.
7. **BEVERAGE.** Touch this pad to heat one or two 8-ounce (250 mL) cups of a beverage, without entering a cook power or time. The oven’s sensor will tell the oven how long to cook depending on the amount of humidity it detects from the beverage.
8. **DINNER PLATE.** Touch this pad to heat a dinner plate of food, without entering a cook power or time. The oven’s sensor will tell the oven how long to cook depending on the amount of humidity it detects from the food.
9. **SOUP.** Touch this pad to heat 1 to 4 cups (250 mL to 1 L) of soup, without entering a cook power or time. The oven’s sensor will tell the oven how long to cook depending on the amount of humidity it detects from the soup.





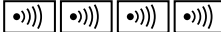

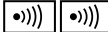
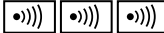
10. **STEAM COOK.** Touch this pad to bring food and liquids to boiling temperature quickly. This function will automatically adjust to a steaming temperature in order to avoid over-boiling.
11. **JET DEFROST™ Feature.** Touch this pad to defrost frozen foods without entering times and cook powers.
12. **SIMMER COOK.** Touch this pad to simmer soups, casseroles, stews, and other liquid foods.
13. **COOK.** Touch this pad to cook microwavable foods without entering times and cook powers.
14. **REHEAT.** Touch this pad to reheat microwavable foods without entering times and cook powers.
15. **COOK TIME.** Touch this pad followed by number pads to set a cooking time.
16. **COOK POWER.** Touch this pad after the cooking time has been set, followed by a Number pad in order to set the amount of microwave energy released to cook the food. Also touch this pad to lengthen or shorten a preset cooking time.

CONTROL PANEL FEATURES (CONT.)

- 17. WARM HOLD.** Touch this pad to keep hot, cooked foods warm in your microwave oven. WARM HOLD can be used by itself, or it can automatically follow a cooking cycle.
- 18. Number pads.** Touch Number pads to enter cooking times, cook powers, quantities, weights, or food categories.
- 19. CLOCK.** Touch this pad to enter the correct time of day.
- 20. TIMER SET.** Touch this pad to set the Minute Timer.
- 21. TIMER OFF.** Touch this pad to cancel the Minute Timer.
- 22. START/ENTER.** Touch this pad to start a function.
- 23. JET START™ Feature.** Touch this pad to cook food for 30 seconds at 100% cook power.
- 24. OFF/CANCEL.** Touch this pad to erase an incorrect command, cancel a program during cooking, or to clear the display.
- 25. LIGHT ON/NIGHT/OFF.** Touch this pad to turn the light or night light on or off.
- 26. VENT FAN 4 SPEEDS.** Touch this pad and choose 1, 2, 3, 4, or 0 for your vent fan speed.
- 27. TURNTABLE ON/OFF.** Touch this pad to turn your turntable on and off.

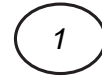
Audible signals

Your microwave oven comes with audible signals that can guide you when setting and using your oven:

-  A programming tone will sound each time you touch a pad.
-  One long tone signals the end of a Kitchen Timer countdown.
-  Four tones signal the end of a cooking cycle.
-  Two quick, short tones sound once every minute for the first 15 minutes after an end-of-cooking signal as a reminder if the food has not been removed from the oven.
-  Two quick, short tones will sound while entering and exiting from a hidden feature (for example, Child Lock).
-  Three tones sound if you have made an incorrect entry.

To disable the programming tone:

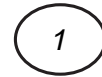
TOUCH



and hold for 5 seconds

To turn the programming tone back on:

TOUCH



and hold for 5 seconds

To disable all audible signals except the end-of-timer signal:

TOUCH



and hold for 5 seconds

To turn signals back on:

TOUCH



and hold for 5 seconds

NOTE: Two tones will sound when audible signals are turned on or off. This will only work when the oven is in standby mode.

Interrupting cooking

You can stop the oven during a cycle by opening the door. The oven stops heating and the fan stops, but the light stays on. To restart cooking, close the door and

TOUCH



If you do not want to continue cooking:

- Close the door and the light goes off.

OR

- **TOUCH**

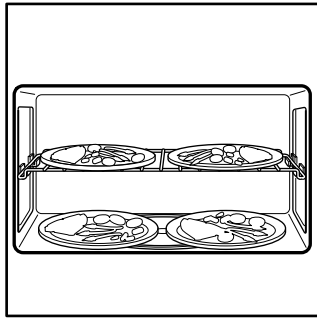


NOTE: Before setting a function, touch OFF/CANCEL to make sure no other function is on.

CONTROL PANEL FEATURES (CONT.)

Heating more than one plate of food

When heating plates of food with a cook time that



you set, you can heat two 10 in. (25.4 cm) plates side by side or one plate larger than the turntable. You can heat 2 more plates on the Cooking Rack for a possible total of 4 plates. For best results, halfway through

cooking turn the plates halfway around until the food in the front is in the back. Do the same when heating a larger (9 to 13 in. [23 to 39 cm]) casserole. When heating 4 dinner plates, turn as described above and switch the top plates with the bottom plates.

To heat 2 bottom plates together or one larger plate, the turntable should not be turning. You can shut the turntable off by touching TURNTABLE



ON/OFF. "TURNTABLE OFF" appears on the display. If you touch TURNTABLE ON/OFF before starting to set the cooking function, your oven will prompt you to enter a cooking time without you needing to touch COOK TIME. Your turntable will be turned back on when cooking is over or when you touch OFF/CANCEL.

NOTE: You cannot turn off the turntable when using an "auto" function.

Using the child lock


The Child Lock locks the control panel pads to prevent unintended use of the microwave oven.

To lock the control panel:

TOUCH



and hold for 5 seconds


Two tones will sound and  will appear on the display. When the control panel is locked, 3 tones will sound and LOCK will appear when you touch any pad except for VENT FAN 4 SPEEDS and LIGHT ON/NIGHT/OFF, Number pads 1 and 2, and START/ENTER.

To unlock the control panel:

TOUCH



and hold for 5 seconds

Two tones will sound and  will be cleared from the display.

Using the demo/learning feature

You can set your microwave oven to display your commands as you enter them without turning the magnetron on. This feature helps you learn to use your oven without actually cooking food. This will only work when the oven is in standby mode.

To set the demo/learning feature:

TOUCH



and hold for 5 seconds

Two tones will sound and a small "d" will appear on the display.

To cancel the demo/learning feature:

TOUCH



and hold for 5 seconds

Two tones will sound and the small "d" will disappear from the display.

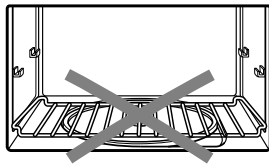
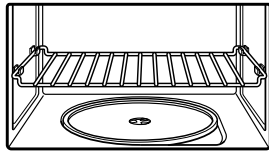
USING THE COOKING RACK

The Cooking Rack gives you extra space when cooking in more than one container at the same time.

If you need a replacement rack (Part No. 4393826), you can order one from your designated service company, or by calling the Customer Interaction Center at **1-800-807-6777**. Make sure to have your model number when ordering.

Inserting the rack

Insert the rack securely into the rack supports on the side walls of the oven.



NOTES:

- Use oven mitts to remove items from microwave oven.
- Do not store the metal rack in the oven. Arcing and damage to the oven could result if someone accidentally starts the oven.
- Do not operate the oven with the metal rack stored on the floor of the oven. Damage to the interior finish will result.
- Use rack only in the microwave oven.
- Do not use rack with browning dish.
- Do not let food container on rack touch the top or sides of the oven.
- Do not cook foods directly on rack. Put them in microwave-safe containers first.
- Do not place a metal cooking container on rack.
- Use the Cooking Rack only when cooking at more than one level.

USING THE EXHAUST FAN

The pad on the bottom left of the control panel controls the 4-speed exhaust fan.

NOTE: Two seconds after the last time you press the VENT FAN 4 SPEEDS pad, the display returns to the previous display.

1. Choose fan speed.

TOUCH



Touch pad and it will cycle through 4, 3, 2, 1, and 0. Choose the setting you desire.

NOTE: If the temperature from the range or cooktop below the oven gets too hot, the exhaust fan in the vent hood will automatically turn on at the HIGH setting to protect the oven. **It may stay on up to an hour to cool the oven. When this occurs, the VENT FAN 4 SPEEDS pad will not turn the fan off.**

2. Turn off fan by cycling fan to 0.

TOUCH



USING THE COOKTOP/COUNTERTOP LIGHT

The pad on the bottom right of the control panel controls the cooktop/countertop light.

1. Turn on light.

TOUCH



(once for regular light, twice for night light)

2. Turn off light when desired.

TOUCH



(1 or 2 times, depending on light setting)

SETTING THE CLOCK

When your microwave oven is first plugged in, or after a power failure, the display will flash “:”. If a time of day is not set, “:” will flash until you touch any pad.

NOTES:

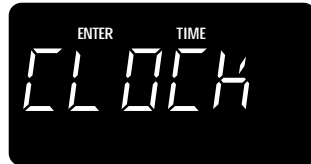
- If you touch in an invalid time and touch CLOCK, 3 tones will sound. Enter the correct time.
- If you touch OFF/CANCEL while setting the clock, the display will show the last time of day set.
- To turn off the clock, touch CLOCK, Number pad 0, and CLOCK again, the set time will disappear and “:” will show on the display.

1. Touch CLOCK.

TOUCH



YOU SEE



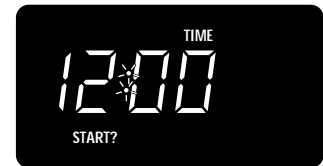
2. Enter the time of day.

Example for 12:00:

TOUCH



YOU SEE



3. Complete your entry.

TOUCH



OR



YOU SEE



USING THE MINUTE TIMER

You can use your microwave oven as a kitchen timer. Use the Minute Timer for timing up to 99 minutes.

NOTE: The oven can operate while the Minute Timer is in use. To see the Minute timer while the oven is cooking, touch TIMER SET.

1. Touch TIMER SET.

TOUCH



YOU SEE



NOTE: If you do not do this step within 5 seconds of doing Step 2, "START?" will appear. You then have 1 minute to touch TIMER SET or START/ENTER before the display returns to the time of day.

At the end of the countdown:

YOU SEE



2. Enter the time to be counted down.

Example for 1 minute, 30 seconds:

TOUCH



YOU SEE



To cancel the Minute Timer:

During the countdown:

TOUCH



YOU SEE



OR



(time of day)

NOTE: If you enter more than 4 digits, the first 4 digits will disappear and the following digit(s) will appear on the right side as you enter them.

3. Start the countdown.

TOUCH



YOU SEE



OR



USING JET START™ FEATURE

The JET START feature lets you cook food for 30 seconds at 100% cook power or add an extra 30 seconds to your cooking time cycle. You can also use it to extend cooking time cycles in multiples of 30 seconds, up to 99 minutes.

NOTES:

- To extend cooking time cycles in multiples of 30 seconds, touch the JET START feature pad repeatedly during cooking.
- After closing the door, you can enter the JET START feature without having to touch START/ENTER.
- If you touch the JET START feature pad during cooking, the oven will cook at the currently selected cook power. If you touch the JET START feature pad after cooking is over, the oven will cook at 100% cook power. You can also change the cook power after you touch the JET START feature pad by touching COOK POWER, Number pads for the new cook power, and START/ENTER.

- You can use the JET START feature only for the cook time function.

1. Make sure the food is in the oven.

2. Touch the JET START feature pad.

TOUCH



YOU SEE



Example for cooking for 30 seconds:

CHANGING PRESET COOKING TIMES

If a preset cooking time is too long or too short, you can lengthen or shorten the cooking time after choosing COOK, REHEAT, the JET DEFROST™ feature, or Sensor ONE TOUCH Control (except for the POPCORN setting). For a quick function, you can only change cooking times after entering a food quantity, but before cooking starts. For Sensor ONE TOUCH Control, you can only change cooking times within 20 seconds after choosing the food type.

For example, in REHEAT, after choosing the type of food and entering the quantity:

To lengthen cooking time:

TOUCH



once

YOU SEE



(example for auto reheat)

To shorten cooking time:

TOUCH



twice

YOU SEE



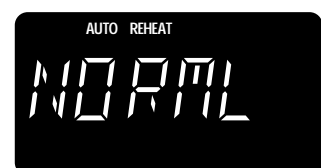
To reset to the original cooking time:

TOUCH



three times

YOU SEE



MICROWAVE OVEN USE

This section gives you instructions for operating each function. Please read these instructions carefully.

COOKING AT HIGH COOK POWER

1. Put your food in the oven and close the door.

2. Touch **COOK TIME**.

TOUCH



YOU SEE



3. Enter the cooking time.

TOUCH



YOU SEE



Example for 1 minute, 30 seconds:

4. Start the oven.

TOUCH



YOU SEE



At the end of the cooking time:

YOU SEE



(four tones will sound)

Changing instructions

You can change the cooking time any time during cooking by repeating Steps 2, 3, and 4.

COOKING AT DIFFERENT COOK POWERS

For best results, some recipes call for different cook powers. The lower the cook power, the slower the cooking. Each Number pad also stands for a different percentage of cook power. Many microwave cookbook recipes tell you by number, percent, or name which cook power to use.

The following chart gives the percentage of cook power each Number pad stands for, and the cook power name usually used. It also tells you when to use each cook power. Follow recipe or food package instructions if available.

NOTE: Refer to a reliable cookbook for cooking times.

COOK POWER	NAME	WHEN TO USE IT
10 = 100% of full power (automatic)	High	<ul style="list-style-type: none"> Quick heating many convenience foods and foods with high water content, such as soups, beverages and most vegetables
9 = 90% of full power		<ul style="list-style-type: none"> Cooking small tender pieces of meat, ground meat, poultry pieces, and fish fillets Heating cream soups
8 = 80% of full power		<ul style="list-style-type: none"> Heating rice, pasta, or casseroles Cooking and heating foods that need a cook power lower than high (for example, whole fish and meat loaf)
7 = 70% of full power	Medium-High	<ul style="list-style-type: none"> Reheating a single serving of food

COOKING AT DIFFERENT COOK POWERS (CONT.)

COOK POWER	NAME	WHEN TO USE IT
6 = 60% of full power		<ul style="list-style-type: none"> ● Cooking sensitive foods such as cheese and egg dishes, pudding, and custards ● Cooking non-stirtable casseroles, such as lasagna
5 = 50% of full power	Medium	<ul style="list-style-type: none"> ● Cooking ham, whole poultry, and pot roasts ● Melting chocolate
4 = 40% of full power		<ul style="list-style-type: none"> ● Simmering stews ● Heating bread, rolls and pastries
3 = 30% of full power	Medium-Low, Defrost	<ul style="list-style-type: none"> ● Defrosting foods, such as bread, fish, meats, poultry, and precooked foods
2 = 20% of full power		<ul style="list-style-type: none"> ● Softening butter, cheese, and ice cream
1 = 10% of full power	Low	<ul style="list-style-type: none"> ● Keeping food warm ● Taking chill out of fruit

NOTE: Once cook time has been entered you can also use the COOK POWER pad as a second Minute Timer by entering "0" for the cook power. The oven will count down the cooking time you set without cooking.

1. Put your food in the oven and close the door.

2. Touch COOK TIME.

TOUCH



YOU SEE



3. Enter the cooking time.

TOUCH



YOU SEE



Example for 7 minutes, 30 seconds:

4. Set the cook power.

TOUCH



YOU SEE



Example for 50% cook power:

TOUCH



OR



(repeat until desired cook power appears)

YOU SEE



COOKING AT DIFFERENT COOK POWERS (CONT.)

5. Start the oven.

TOUCH



YOU SEE



At the end of the cooking time:

YOU SEE



(four tones will sound)

Changing instructions

You can change the cooking time or cook power any time during cooking by repeating Steps 2, 3 and/or 4 and 5.

COOKING IN STAGES

For best results, some recipes call for one cook power for a certain length of time, and another cook power for another length of time. Your oven can be set to change from one to another automatically, for up to 3 stages.

You can set your chosen cook functions in any order. However, if you use the JET DEFROST™ feature, it must be the first stage.

NOTE: You cannot sensor cook with stages.

1. Put your food in the oven and close the door.

2. Touch COOK TIME.

TOUCH



YOU SEE



3. Enter the cooking time for the first stage.

TOUCH



YOU SEE



Example for 7 minutes, 30 seconds:

4. Set the cook power for the first stage.

TOUCH



YOU SEE



continued on next page

COOKING IN STAGES (CONT.)

Example for 50% cook power:

TOUCH



OR



(repeat until desired cook power appears)

YOU SEE



At the end of the cooking time:

YOU SEE



(four tones will sound)

5. Repeat Steps 2, 3, and 4 to set the cooking time and cook power for each additional stage.

6. Start the oven.

TOUCH



YOU SEE



After the first stage is over, the next stage(s) will count down.

Changing instructions

You can change cooking times or cook powers for a stage any time after that stage starts by repeating Steps 2, 3 and/or 4 and 5.

PROGRESS BAR

The display contains a Progress Bar, which indicates how far the Cook functions have gone and how much more the functions have to go. The full length of the bar represents the estimated running time of the cooking cycle. The Progress Bar advances line by line during a cycle.



The 12 segments on the Progress Bar give an estimate of progress during cooking and show the ratio of the time remaining on Cook functions. At the end of the cooking cycle, all 12 segments will be lighted.

NOTE: The Progress Bar appears with COOK, JET DEFROST™ feature, REHEAT and Sensor ONE TOUCH Cooking, but not with Manual Cooking functions.

Using COOK

You can cook microwavable foods just by choosing a category and quantity. COOK has preset times and cook powers for 5 categories (see following chart).

To use **COOK**, follow the steps below:

1. Touch



once

You see



2. Touch COOK 1 to 5 times to choose the type of food.



Example
for bacon

3 times

OR

Touch a Number pad to choose the type of food.



Example
for bacon

You see



Example
for bacon



3. Touch Number pad to enter the quantity.



Example
for 3 slices

You see



Example
for 3 slices

4. Touch



You see



(countdown
time may vary)

NOTES:

- If you do not enter a quantity within 2 seconds, COOK will prompt you to choose a quantity. You then have 1 minute to enter a quantity and to touch START/ENTER. If you do not do so, COOK will be canceled.
- If you touch COOK 6 times, the display returns to the Rice setting.
- If you need more or less time, do not touch COOK again. Touch COOK POWER before you touch START/ENTER. (See “Changing preset cooking times” in the “Getting to Know Your Microwave Oven” section.)
- When cooking bacon, keep in mind that differences in the amount of fat, meat, thickness, and curing process will affect how bacon is cooked. Also, regular sliced bacon averages about 16 slices per pound (.5 kg).
- Progress Bar shows approximate time remaining.

Using COOK (CONT.)

This chart shows you how to choose a type of food and the amounts you can choose for each type.

FOOD	TOUCH COOK*	OR	TOUCH NUMBER PAD	AMOUNTS YOU CAN CHOOSE
Rice (sensor)	once		1	0.5 to 2 cups** (125 mL to 500 mL)
Canned Vegetables	2 times		2	1 to 4 cups (250 mL to 1 L)
Bacon	3 times		3	1 to 6 pieces, average thickness
Cereal (instant)	4 times		4	1 to 4 servings
French Toast (frozen)	5 times		5	1 to 4 pieces

*You must touch COOK once before choosing the food type.

**Because this food is cooked by the sensor, you don't need to enter a quantity. The amount shown here is the amount you can cook. After you choose the food type and touch START/ENTER, "SENSE" appears on the display. Also, the sensor needs 2 minutes, 30 seconds to warm-up after the oven is connected to the power or after a power failure. If you start sensor cooking during the warm-up, "SENSE" shows on the display until the warm-up is over. Microwave energy will not be turned on until the sensor is warm.

Using REHEAT

You can reheat microwavable foods just by choosing a category and quantity. REHEAT has preset times and cook powers for 4 categories (see following chart).

To use REHEAT, follow the steps below:

1. Touch



once

You see



2. Touch REHEAT 1 to 4 times to choose the type of food.



Example for
casserole

3 times

OR

Touch a Number pad to choose the type of food.



Example for
casserole

You see



Example for
casserole



3. Touch a Number pad to enter the quantity.



Example
for 1 cup (250 mL)

You see



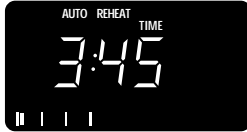
Example
for 1 cup (250 mL)

Using REHEAT (CONT.)

4. Touch



You see



(countdown time may vary)

NOTES:

- If you do not enter a quantity within 2 seconds, REHEAT will prompt you to choose a quantity. You then have 1 minute to enter a quantity and to touch START/ENTER. If you do not do so, REHEAT will be canceled.
- If you touch REHEAT 5 times, the display returns to the Pizza Slice setting.
- If you need more or less time, do not touch REHEAT again. Touch COOK POWER before you touch START/ENTER. (See “Changing preset cooking times” in the “Getting to Know Your Microwave Oven” section.)
- When reheating a large (4 oz [113 g]) muffin or bagel use the 2-piece setting. The 1-piece setting heats 1 regular-size muffin or bagel, or 2 small dinner rolls.

This chart shows you how to choose a type of food and the amounts you can choose for each type.

FOOD	TOUCH REHEAT*	OR	TOUCH NUMBER PAD	AMOUNTS YOU CAN CHOOSE
Pizza Slice (sensor)**	once		1	1 to 3 slices, 5 oz (142 g) each
Sauce (sensor)**	twice		2	1 to 4 cups (250 mL to 1 L)
Casserole	3 times		3	1 to 4 cups (250 mL to 1 L)
Baked Goods	4 times		4	1 to 6 pieces, 2 oz (57 g) each

* You must touch REHEAT once before choosing the food type.

** After you choose the food type and quantity touch START/ENTER, “SENSE” appears on the display. Also, the sensor needs 2 minutes, 30 seconds to warm-up after the oven is connected to the power or after a power failure. If you start sensor cooking during the warm-up, “SENSE” shows on the display until the warm-up is over. Microwave energy will not be turned on until the sensor is warm.

USING WARM HOLD

! WARNING

Food Poisoning Hazard

Do not let food sit in oven more than one hour before or after cooking.

Doing so can result in food poisoning or sickness.

WARM HOLD keeps hot, cooked food warm in your microwave oven. You can use WARM HOLD by itself, or to automatically follow a cooking cycle.

NOTES:

- Opening the oven door cancels WARM HOLD. Close the door and touch WARM HOLD, then touch START/ENTER if additional WARM HOLD time is desired.
- Food cooked covered should be covered during WARM HOLD.
- Pastry items (pies, turnovers, etc.) should be uncovered during WARM HOLD.
- Complete meals kept warm on a dinner plate should be covered during WARM HOLD.
- Do not use more than one complete WARM HOLD cycle. The quality of some foods will suffer with extended time.

1. Put hot, cooked food in the oven and close the door.

2. Touch WARM HOLD.

TOUCH



YOU SEE



3. Start the oven.

TOUCH



YOU SEE



To make WARM HOLD automatically follow another cycle:

- While entering cooking instructions, touch WARM HOLD before touching START/ENTER, or during cooking.
- When the last cooking cycle is over, you will hear two tones. "WARM" will come on while the oven continues to run.

USING STEAM COOK

Your microwave oven has an automatic boil and steam cooking function. Foods suitable for steaming are potatoes or rice. It works in 2 steps.

- The first step quickly brings water to a boil.
- The second step automatically adjusts to a steaming temperature to gently steam food.

Use the TupperWave® Oval Steamer, by Tupperware when using this function.

Advantages of the steam function:

- Saves energy.
- Saves cooking time.
- Light cooking, without fat.

Some advantages of using microwaves:

- Preserves vitamins and minerals.
- Preserves the original appearance of the food.
- Preserves the color of the food.

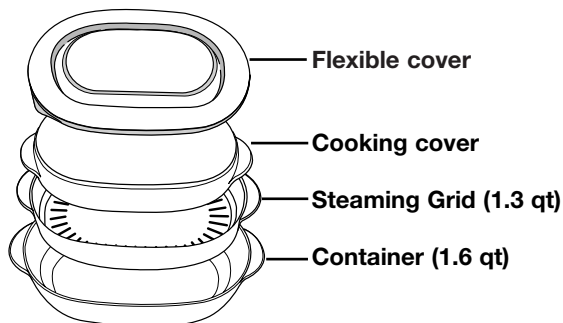
USING STEAM COOK (CONT.)

The TupperWave® Oval Steamer, by Tupperware

The TupperWave® Oval Steamer, by Tupperware has four parts:

- An oval 1.6-quart (1.5 L) container, shaped without corners to give optimum distribution of the microwaves.
- A 1.3-quart (1.2 L) Steaming Grid which is placed directly over the container. The holes are in the bottom of the Steaming Grid. The Steaming Grid enhances the circulating of steam during cooking.
- A cooking cover, which is placed directly over the container and the Steaming Grid.
- A flexible cover, to be used only for keeping in the refrigerator or freezer.

Oval Steamer



The Steaming Grid

Use the Oval Steamer with the Steaming Grid in place for foods such as fish, vegetables and potatoes. Use the Oval Steamer without the Steaming Grid in place for foods such as rice, pasta and white beans. Use oven mitts when removing the hot Oval Steamer.

Properties of the Material

The smooth, shiny material:

- Is able to withstand temperatures from -11°F (-24°C) to 392°F (200°C), so that dishes can be microwaved directly after being in the freezer.
- Is totally transparent to microwaves.
- Is virtually unbreakable under normal non-commercial conditions of use.
- The flexible cover may be used in the refrigerator or freezer, not in the microwave oven.
- Protect container by wiping splatters before use and avoid cooking small amounts of foods that are high in fat and sugar.

Using the TupperWave® Oval Steamer, by Tupperware

- Add at least 1.5 oz. (50 mL) of liquid to the container when using the steam cook function.
- If using without Steaming Grid (for example, when cooking rice) you may need more water.
- Always allow some standing time in order to give uniform distribution of the temperature within the food and to complete the cooking process.
- Do not use the Oval Steamer in a conventional- or combination-type oven, with the "Crisp" or "Grill" functions or on electric or gas burners.
- Never use the Oval Steamer in the microwave oven without the cooking cover.
- To avoid scratching the product, use plastic utensils for preparing and serving food.
- Make sure that dishes are cooled to room temperature before using the flexible cover.
- Never put the flexible cover in the microwave oven.
- Do not use plastic or aluminum wrappings in the microwave oven.
- To assure even heating of the food, do not overfill the Oval Steamer or the Steaming Grid. Approximately one-half full is a reasonable guideline.

To Steam Cook:

1. Put water in the bottom container of the Oval Steamer. If using the Steaming Grid, put food into it and put it on top of the bottom container. Then put on the cooking cover. (If not using Steaming Grid, you may need more water.)
2. Put Oval Steamer onto center of turntable. Close oven door.
3. Touch STEAM COOK.
4. Touch Number pads to enter steaming time.
5. Touch START/ENTER.

To check food during steaming, open the door only when the oven is counting down the steaming time.

Cleaning the TupperWave® Oval Steamer, by Tupperware

The Oval Steamer is dishwasher safe. The flexible cover should be placed in the top basket of the dishwasher. After cooking, soak the Steaming Grid elements in soapy water to remove any adhering food. If necessary, use a soft brush to remove food particles from the holes of the Oval Steamer. For persistent stains, fill the container with hot water and dishwasher powder or cold water and bleach and leave to soak, then rinse thoroughly.

USING JET DEFROST™ FEATURE

You can defrost food by choosing a category and setting a weight. The feature can be used only for very fast defrosting of frozen foods in the categories of Meat, Poultry or Fish. Use manual defrost for other foods or weights not listed. The JET DEFROST feature has preset times and cook powers for 3 categories (see following chart).

To use the JET DEFROST feature, follow the steps below:

1. Touch



once

You see



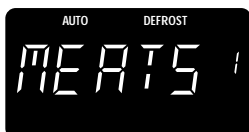
2. Continue to touch the JET DEFROST feature pad to select food class.



Example for meats

once

You see



Example for meats



3. Touch Number pad(s) to enter the weight. Input the correct weight.



Example for 1.1 lbs

You see



Example for 1.1 lbs

4. Touch



You see



(countdown time may vary)

5. Approximately halfway through the cycle, the oven will beep.

The indicator will say “TURN”. Turn food and then touch START/ENTER. If you don't open the door and turn the food, then the oven will beep and continue defrosting but will take longer to defrost.

NOTES:

- If you do not enter a weight within 2 seconds, the JET DEFROST feature will prompt you to enter a weight. You then have 1 minute to enter a weight and to touch START/ENTER. If you do not do so, the JET DEFROST feature will be canceled.
- If you enter a weight higher than the highest weight allowed for your food setting, 3 tones will sound and “RETRY” will appear on the display when you touch START/ENTER. Then the minimum/maximum weight allowed will be displayed.
- If you touch the JET DEFROST feature pad 4 times, the display returns to the Meats setting.
- If you need more or less defrosting time, do not touch the JET DEFROST feature pad again. Touch COOK POWER before you touch START/ENTER. (See “Changing preset cooking times” in the “Getting to Know Your Microwave Oven” section.)
- See the “JET DEFROST feature chart” later in this section for defrosting directions for each food.
- To defrost items not listed in the “JET DEFROST feature chart,” use 30% cook power. Refer to a reliable cookbook for defrosting information.

USING JET DEFROST™ FEATURE (CONT.)

For even, complete defrosting

- The shape of the package affects how quickly food will defrost. Shallow packages will defrost more quickly than a deep block.
- As food begins to defrost, separate the pieces. Separated pieces defrost more evenly.

- Use small pieces of aluminum foil to shield parts of food such as chicken wings, leg tips, fish tails, or areas that start to get warm. Make sure the foil does not touch the sides, top, or bottom of the oven.

This chart shows you how to choose a type of food and the weights you can set for each type.

FOOD	TOUCH JET DEFROST*	OR	TOUCH NUMBER PAD	WEIGHTS YOU CAN SET (tenths of a pound)
Meats	once		1	.2 to 6.6 (91 g to 2994 g)
Poultry	twice		2	.2 to 6.6 (91 g to 2994 g)
Fish	3 times		3	.2 to 4.4 (91 g to 1998 g)

* You must touch the JET DEFROST feature pad once before choosing the food type.

JET DEFROST™ FEATURE CHART

Meat setting

FOOD	SPECIAL INSTRUCTIONS
Beef	Meat of irregular shape and large, fatty cuts of meat should have the narrow or fatty areas shielded with foil at the beginning of a defrost cycle.
Ground Beef, Bulk	Do not defrost less than ¼ lb (113 g).
Ground Beef, Patties	Do not defrost less than two 4 oz (113 g) patties.
Round Steak, Tenderloin Steak, Pot Roast, Chuck Roast, Rib Roast, Rolled Rump Roast	Place on a microwavable roasting rack.
Stew Beef	Place in a microwavable baking dish.
Lamb	
Cubes for Stew	Place in a microwavable baking dish.
Chops (1 in. [2.5 cm] thick)	Place on a microwavable roasting rack.
Pork	
Chops (½ in. [13 mm] thick), Hot Dogs, Spareribs, Country-Style Ribs, Loin Roast (Boneless), Sausage, Links	Place on a microwavable roasting rack.
Sausage, Bulk	Place in a microwavable baking dish.

JET DEFROST™ FEATURE CHART (CONT.)

Poultry setting

FOOD	SPECIAL INSTRUCTIONS
Chicken Whole (up to 9-1/2 lbs [4.3 kg]) Cut Up	Place chicken breast-side up on a microwavable roasting rack. Finish defrosting by immersing in cold water. Remove giblets when chicken is partially defrosted. Place on a microwavable roasting rack. Finish defrosting by immersing in cold water.
Cornish Hens Whole	Place on a microwavable roasting rack. Finish defrosting by immersing in cold water.
Turkey Breast (under 6 lbs [2.7 kg])	Place on a microwavable roasting rack. Finish defrosting by immersing in cold water.

Fish setting

FOOD	SPECIAL INSTRUCTIONS
Fish Fillets Steaks Whole	Place in a microwavable baking dish. Carefully separate fillets under cold water. Place in a microwavable baking dish. Run cold water over to finish defrosting. Place in a microwavable baking dish. Cover head and tail with foil; do not let foil touch sides of microwave oven. Finish defrosting by immersing in cold water.
Shell Fish Crabmeat, Lobster Tails, Shrimp, Scallops	Place in a microwavable baking dish.

DEFROSTING TIPS

- When using the JET DEFROST™ feature, you need to enter the net weight (the weight of the food minus the container). Enter the weight to the nearest $\frac{1}{10}$ lb (45 g).
- Only use the JET DEFROST feature for raw food. The JET DEFROST feature gives best results when the food to be thawed is completely frozen. If the food is partially defrosted, always set a lower food weight (for a shorter defrosting time) to prevent cooking the food.
- For better results, a preset standing time is included in the defrosting time. This may make the defrosting time seem longer than expected. (For more information on standing time, see the “Microwave cooking tips” in the “Cooking Guide” section.)

Weight conversion chart

You are probably used to food weights as being in pounds and ounces that are fractions of a pound (for example 4 ounces equals $\frac{1}{4}$ lb [113 g]). However, in order to enter food weight in the JET DEFROST feature, you must specify pounds and tenths of a pound.

If the weight on the food package is in fractions of a pound, you can use the following chart to convert the weight to decimals.

Equivalent Weight			
OUNCES	GRAMS	DECIMAL WEIGHT	
1.6	45.4	.10	
3.2	90.7	.20	
4.0	113.4	.25	One-Quarter Pound
4.8	136.1	.30	
6.4	181.4	.40	
8.0	226.8	.50	One-Half Pound
9.6	272.2	.60	
11.2	317.5	.70	
12.0	340.2	.75	Three-Quarters Pound
12.8	362.9	.80	
14.4	408.2	.90	
16.0	453.6	1.00	One Pound

Using SIMMER COOK

Your microwave oven lets you simmer soups, casseroles, stews, and other liquid foods. All you do is set a simmer time and your oven will bring your food to a boil and then simmer it for the time you specify.

NOTES:

- You cannot change the cook power or doneness for SIMMER COOK.
- This function uses the sensor. The sensor needs 2 minutes, 30 seconds to warm up after the oven is connected to power or after a power failure. If you start SIMMER COOK during the warm-up, microwave energy will not be turned on until the sensor is warm.
- When cooking vegetables, increase amount of water to ¼ to ½ cup (60 to 125 mL).
- Cover dish with a hard lid, i.e. the lid that comes with the dish or a dinner plate. Do not use plastic wrap.

1. Place the food in the oven and shut the door.

2. Touch SIMMER COOK.

TOUCH



YOU SEE

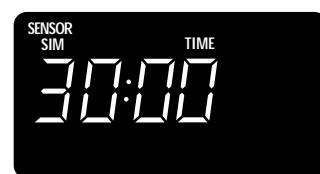


3. Touch Number pads to enter the simmer time.

TOUCH



YOU SEE



Example for 30 minutes:

4. Touch START/ENTER.

TOUCH



YOU SEE



The oven will bring the food to a boil.
The food will then simmer for the time you set.

When simmering foods like pasta

Use a container that can hold enough water to cover the food completely when cooking, such as a 3-quart (12-cup [2.84 L]) casserole with a lid. When cooking pasta or noodles, add 1 tbsp (15 mL) oil to the water before boiling. Use the following method: Place container with water in the oven and follow Steps 2-4, setting the simmer time at 1 second. At the end of the signal, place the food in the water and stir until completely covered by water. Cover. Repeat Steps 2-4, setting the simmer time you want.

Changing instructions

You can change the simmering time while simmering by repeating Steps 2, 3, and 4.

SENSOR ONE TOUCH COOKING

Your microwave oven has a sensor that detects the humidity released by the food. The amount of humidity detected tells the oven how long to cook or heat your food. You can use Sensor ONE TOUCH cooking when preparing any of 8 types of food. Just touch the pad for the food you want to cook or heat. The simple instructions for these functions are on the following pages.

NOTES:

- If you want to cook by entering a time and cook power, see “Microwave cooking tips” in the “Cooking Guide” section.
- The oven should be plugged in at least 2½ minutes before sensor cooking.
- Room temperature should not exceed 95°F (35°C).
- Be sure the exterior of the cooking container and the interior of the oven are dry. Wipe off each with a paper towel.
- When covering foods, be sure to leave an opening big enough for moisture to escape so that the sensor can determine cooking or reheating time.

USING SENSOR ONE TOUCH COOKING

To use Sensor ONE TOUCH Cooking:

- 1. Put the food in the oven and close the door.**
 - 2. Touch a Sensor ONE TOUCH pad.**

Sensor ONE TOUCH Cooking will start automatically after a short delay.
(See Sensor One Touch Cooking Chart.)
 - 3. The progress bar at the bottom of the display shows the approximate time remaining.**
-

SENSOR ONE TOUCH COOKING CHART

FOOD	SERVING SIZE	DIRECTIONS
Popcorn	3.5 oz (100 g), 3.0 oz (85 g), 1.75 oz (50 g)	<ul style="list-style-type: none"> ● Pop only 1 package at a time. If you are using a microwave popcorn popper, follow the manufacturer's instructions.
Baked Potatoes	1 to 4 medium, about 10 to 13 oz (284 to 369 g) each	<ul style="list-style-type: none"> ● Pierce each potato several times with a fork and place on the turntable around the edge, at least 1 inch (2.5 cm) apart. Let potato stand 5 minutes to finish cooking.
Frozen Vegetables	1 to 4 cups (250 mL to 1 L)	<ul style="list-style-type: none"> ● Remove from package. Place vegetables in a microwavable container. Cover with plastic wrap and vent. ● Most vegetables need stirring and 2-3 minutes standing time after cooking.
Fresh Vegetables	1 to 4 cups (250 mL to 1 L)	<ul style="list-style-type: none"> ● Place moist vegetables in a microwavable container. Cover with plastic wrap and vent. ● Most vegetables need stirring and 2-3 minutes standing time after cooking.
Frozen Entree	Works best if entree is 10 to 20 oz. (284 to 567 g)	<ul style="list-style-type: none"> ● Remove from outer package. Loosen cover on three sides. If entrée is not in a microwave-safe container, place it on a plate, cover with plastic wrap and vent. ● Most entrees need 2-3 minutes standing time after cooking.
Beverage	1 or 2 8-ounce (250 mL) cups	<ul style="list-style-type: none"> ● Do not cover. The shape of the mug will affect how the contents heat -- if narrow and tall, contents may be hotter; of more open area on top (i.e. 1 cup [250 mL] measuring cup) contents may be cooler.
Dinner Plate	1 serving (or 1 plate) (8 to 16 oz [.2 to 45 kg])	<ul style="list-style-type: none"> ● Place food to be heated on a dinner plate or similar dish. Cover with plastic wrap and vent.
Soup	1 to 4 cups (250 mL to 1 L)	<ul style="list-style-type: none"> ● Place soup to be heated in a correct-size microwavable container. Cover with plastic wrap and vent.

COOKING GUIDE

MICROWAVE COOKING TIPS

Amount of food

- **If you increase or decrease** the amount of food you prepare, the time it takes to cook that food will also change. For example, if you double a recipe, add a little more than half the original cooking time. Check for doneness and, if necessary, add more time in small increments.

Starting temperature of food

- **The lower the temperature** of the food being put into the microwave oven, the longer it takes to cook. Food at room temperature will be reheated more quickly than food at refrigerator temperature.

Composition of food

- **Food with a lot of fat and sugar** will be heated faster than food containing a lot of water. Fat and sugar will also reach a higher temperature than water in the cooking process.
- **The more dense the food**, the longer it takes to heat. “Very dense” food like meat takes longer to reheat than lighter, more porous food like sponge cakes.

Size and shape

- **Smaller pieces of food** will cook faster than larger pieces. Also, same-shaped pieces cook more evenly than different-shaped pieces.
- **With foods that have different thicknesses**, the thinner parts will cook faster than the thicker parts. **Place** the thinner parts of chicken wings and legs in the center of the dish.

Stirring, turning foods

- **Stirring and turning foods** spreads heat quickly to the center of the dish and avoids overcooking at the outer edges of the food.

Covering food

Cover food to:

- **Reduce** splattering
- **Shorten** cooking times
- **Keep** food moist

You can use any covering that lets microwaves pass through. See “Getting to Know Your Microwave Oven” for materials that microwaves will pass through. If you are using the Sensor function, be sure to vent.

Releasing pressure in foods

- **Several foods** (for example: baked potatoes, sausages, egg yolks, and some fruits) are tightly covered by a skin or membrane. Steam can build up under the membrane during cooking, causing the food to burst. To relieve the pressure and to prevent bursting, **pierce** these foods before cooking with a fork, cocktail pick, or toothpick.

Using standing time

- **Always allow food to stand** after cooking. Standing time after defrosting and cooking allows the temperature to evenly spread throughout the food, improving the cooking results.
- **The length of the standing time** depends on how much food you are cooking and how dense it is. Sometimes it can be as short as the time it takes you to remove the food from the oven and take it to the serving table. However, with larger, denser food, the standing time may be as long as 10 minutes.

Arranging food

For best results, place food evenly on the plate. You can do this in several ways:

- **If you are cooking several items of the same food**, such as baked potatoes, **place** them in a ring pattern for uniform cooking.
- **When cooking foods of uneven shapes or thickness, such as chicken breasts**, **place** the smaller or thinner area of the food towards the center of the dish where it will be heated last.
- **Layer thin slices of meat** on top of each other.
- **When you cook or reheat whole fish**, **score** the skin – this prevents cracking.
- **Do not** let food or a container touch the top or sides of the oven. This will prevent possible arcing.

MICROWAVE OVEN CARE

MICROWAVE COOKING TIPS (CONT.)

Using aluminum foil

Metal containers should not be used in a microwave oven. There are, however, some exceptions. If you have purchased food which is prepackaged in an aluminum foil container, refer to the instructions on the package. When using aluminum foil containers, cooking times may be longer because microwaves will only penetrate the top of the food.

If you use aluminum containers without package instructions, follow these guidelines:

- **Place** the container in a glass bowl and add some water so that it covers the bottom of the container, not more than $\frac{1}{4}$ in. (.64 cm) high. This ensures even heating of the container bottom.
- **Always remove** the lid to avoid damage to the oven.
- **Use only** undamaged containers.
- **Do not use** containers taller than $\frac{3}{4}$ in. (1.9 cm).
- **Container must be** at least half filled.
- **To avoid arcing**, there must be a minimum $\frac{1}{4}$ in. (.64 cm) between the aluminum container and the walls of the oven and also between two aluminum containers.
- **Always place** the container on the turntable.
- **Reheating food** in aluminum foil containers usually takes up to double the time compared to reheating in plastic, glass, china, or paper containers. The time when food is ready will vary depending upon the type of container you use.
- **Let food stand** for 2 to 3 minutes after heating so that heat is spread evenly throughout container.

Cooking you should not do in your microwave oven

- **Do not** do canning of foods in the oven. Closed glass jars may explode, resulting in damage to the oven.
- **Do not** use the microwave oven to sterilize objects (baby bottles, etc.). It is difficult to keep the oven at the high temperature needed for sterilization.

To make sure your microwave oven looks good and works well for a long time, you should maintain it properly. For proper care, please follow these instructions carefully.

For interior surfaces: Wash often with warm, sudsy water and a sponge or soft cloth. Use only mild, non-abrasive soaps or a mild detergent. **Be sure to keep the areas clean where the door and oven frame touch when closed.** Wipe well with clean water. Over time, stains can occur on the surfaces as the result of food particles spattering during cooking. This is normal.

For stubborn soil, **boil** a cup (250 mL) of water in the oven for 2 or 3 minutes. Steam will soften the soil. To get rid of odors inside the oven, **boil** a cup (250 mL) of water with lemon juice or vinegar.

For exterior surfaces and control panel: Use a soft cloth with spray glass cleaner. Apply the spray glass cleaner to the soft cloth; do not spray directly on the oven.

NOTE: Abrasive cleansers, steel-wool pads, gritty wash cloths, some paper towels, etc., can damage the control panel and the interior and exterior oven surfaces.

To clean turntable and turntable support, wash in mild, sudsy water; for heavily soiled areas **use** a mild cleanser and scouring sponge. The turntable and turntable support are dishwasher-safe.

CARING FOR THE FILTERS

The grease (aluminum) filters should be removed and cleaned often, at least once a month. You can order replacement grease filters (PN 8169758) from your nearest authorized Whirlpool dealer.

The charcoal filters cannot be washed. For best performance, we recommend that you replace charcoal filters every six to twelve months. You can order replacement charcoal filters (PN 4393791) from your nearest authorized Whirlpool dealer.

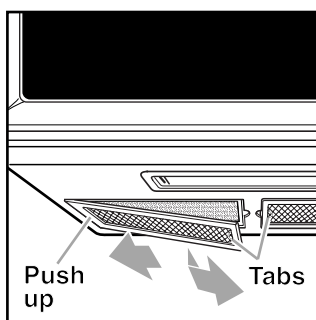
⚠ WARNING



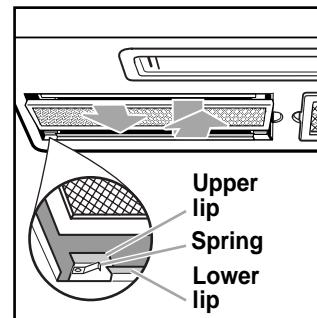
Electrical Shock Hazard
Disconnect power before removing filters.
Replace all panels before operating.
Failure to do so can result in death or electrical shock.

Removing, cleaning, and replacing:

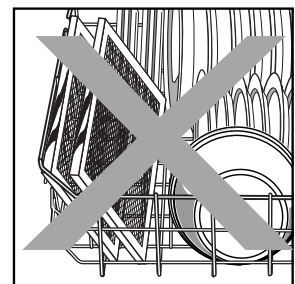
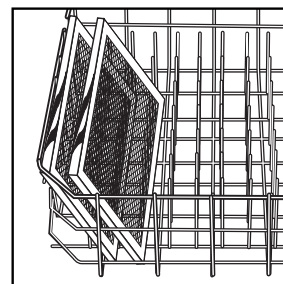
1. **Unplug** microwave oven or **disconnect** power.
2. **To remove grease filters**, slide each filter to the side. **Pull** filters downward and **push** to the other side. The filter will drop out.



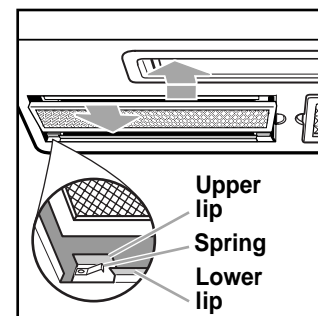
3. **To remove the charcoal filters**, push the back of each filter away from you. This will slide the front of the filter off the lower lip. Swing the front of the filter down and slide the filter out.



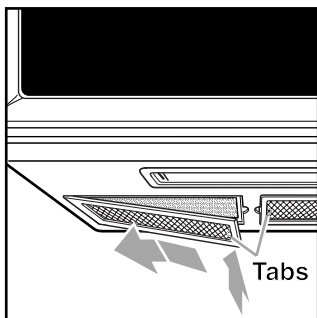
4. This model comes with Dishwasher Safe Grease Filters. Place the grease filters in an empty dishwasher and wash. **NOTE:** Washing these filters with dirty dishes may cause the filters to trap the particles from the dishes, so we recommend washing separately in an empty dishwasher.



5. **To replace the charcoal filters**, push each filter to the back of the opening, between the upper and lower lips against the springs. Swing the front of the filter up against the upper lip. Slide the filter forward while pushing it up against the upper lip. The filter will now be held in position between the lips by the spring.



- 6. To replace grease filters, slide** filter in the frame slot on one side of the opening. **Push** filter upward and **push** to the other side to lock into place.



- 7. Slide** the bottom of the vent grille into place. **Push** the top until it snaps into place. **Replace** the mounting screws.

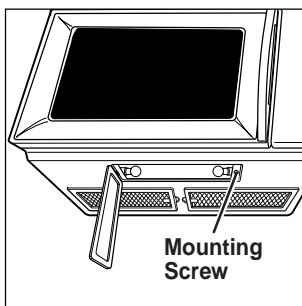
- 8. Plug** in microwave oven or **reconnect** power.

NOTE: Do not operate the hood without the grease filters in place.

REPLACING THE COOKTOP AND OVEN LIGHTS

The cooktop light

- 1. Unplug** microwave oven or **disconnect** power.
- 2. Remove** the bulb cover mounting screws.



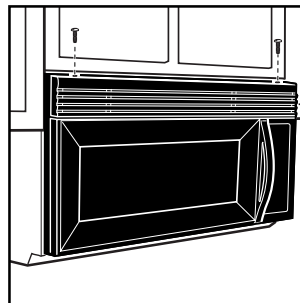
- 3.** We recommend replacing bulb(s) with candelabra-base 30-watt bulb(s) (PN 4393681) available from your designated service company, or by calling the Customer Interaction Center at **1-800-807-6777**. Make sure to have your model number when ordering.

- 4. Plug** in microwave oven or **reconnect** power.

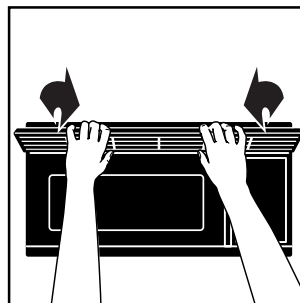
The oven light

- 1. Unplug** microwave oven or **disconnect** power.

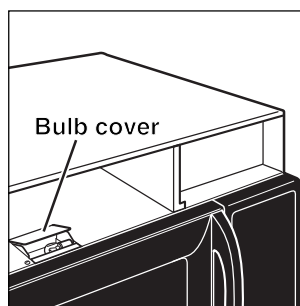
- 2. Remove** the two vent grille mounting screws located above the cover (the two outer screws).



- 3. Tip** the grille forward, then **lift out** to remove.



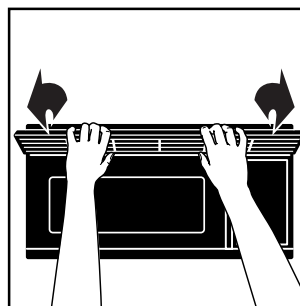
- 4. Lift up** the bulb holder.



- 5.** Replace the bulb with a candelabra-base 30-watt bulb (PN 4393681) available from your authorized Whirlpool dealer.

- 6.** Close the bulb cover.

- 7.** Slide the top of the vent grille into place. Push the bottom until it snaps into place. Replace the mounting screws.



- 8.** Plug in microwave oven or reconnect power.

QUESTIONS AND ANSWERS

QUESTIONS	ANSWERS
Can I operate my microwave oven without the turntable or turn the turntable over to hold a large dish?	No. If you remove or turn over the turntable, you will get poor cooking results. Dishes used in your oven must fit on the turntable.
Can I use a rack in my microwave oven so that I may reheat or cook on two levels at a time?	You can use a rack only if the rack is supplied with your microwave oven. If you use a rack not supplied with the microwave oven, you can get poor cooking performance and/or arcing.
Can I use either metal or aluminum pans in my microwave oven?	You can use aluminum foil for shielding (use small, flat pieces), small skewers, and shallow foil trays (if tray is not taller than 1.9 cm [$\frac{3}{4}$ in.] deep and half filled with food to absorb microwave energy). Never allow metal to touch walls or door.
Is it normal for the turntable to turn in either direction?	Yes. The turntable rotates clockwise or counterclockwise, depending on the rotation of the motor when the cooking cycle begins.
Sometimes the door of my microwave oven appears wavy. Is this normal?	This appearance is normal and does not affect the operation of your oven.
What are the humming noises that I hear when my microwave oven is operating?	You may hear the sound of the transformer when the magnetron tube cycles on.
Why does the dish become hot when I microwave food in it? I thought that this should not happen.	As the food becomes hot it will conduct the heat to the dish. Be prepared to use hot pads to remove food after cooking.
What does “standing time” mean?	“Standing time” means that food should be removed from the oven and covered for additional time to allow it to finish cooking. This frees the oven for other cooking.
Why does steam come out of the air exhaust vent?	Steam is normally produced during cooking. The microwave oven has been designed to vent this steam out the vents.
Can I pop popcorn in my microwave oven? How do I get the best results?	Yes. Pop packaged microwave popcorn following manufacturer’s guidelines or use the sensor POPCORN pad. Do not use regular paper bags. Use the “listening test” by stopping the oven as soon as the popping slows to a “pop” every 1 or 2 seconds. Do not repop unpopped kernels. Do not pop popcorn in glass cookware.

TROUBLESHOOTING

Most cooking problems often are caused by little things you can find and fix without tools of any kind. Check the lists below before calling for assistance or service. If you still need help, see the “Requesting Assistance or Service” section.

IF MICROWAVE DOES NOT OPERATE, FIRST CHECK THE FOLLOWING:

- Is the microwave plugged into a live outlet with the proper voltage? (See installation instructions.)
- Have you blown a household fuse or tripped a circuit breaker?
- Has the electric company experienced a power failure?

OTHER POSSIBLE PROBLEMS AND THEIR CAUSES:

Problem	Cause
The microwave oven will not run.	<ul style="list-style-type: none">● The door is not firmly closed and latched.● You did not touch START.● You did not follow directions exactly.● An operation that was programmed earlier is still running.● You have not set the time after touching COOK TIME.
Microwave cooking times seem too long.	<ul style="list-style-type: none">● The electric supply to your home or wall outlets is low or lower than normal. Your electric company can tell you if the line voltage is low. Your electrician or service technician can tell you if the outlet voltage is low.● The cook power is not at the recommended setting.● Larger amounts of food need longer cooking times.
The turntable will not turn.	<ul style="list-style-type: none">● The turntable is not correctly in place. Make sure the turntable is correct-side up and is sitting securely on center shaft.● The support is not operating correctly. Remove turntable, check that the turntable support is properly in place, and restart oven. If turntable support does not move, call a designated service technician for repair. Cooking without the turntable can give you poor results.
The display shows a time counting down but the oven is not cooking.	<ul style="list-style-type: none">● The oven door is not closed completely.● You have set the controls as a kitchen timer. Touch OFF/CANCEL to cancel the Minute Timer.
You do not hear the Programming Tone.	<ul style="list-style-type: none">● The command is not correct.
The fan seems to be running slower than usual.	<ul style="list-style-type: none">● The oven has been stored in a cold area. The fan will run slower until the oven warms up to normal room temperature.
The display is showing “ : ”.	<ul style="list-style-type: none">● There has been a power interruption. Reset the clock.

If none of these items is causing your problem, see the “Assistance or Service” section.

ASSISTANCE OR SERVICE

To avoid unnecessary service calls, please check the “Troubleshooting” section. It may save you the cost of a service call. If you still need help, follow the instructions below.

IF YOU NEED ASSISTANCE:

Call the Inglis Limited Customer Interaction Center toll free, 8:30 a.m. – 5:30 p.m. (EST), at 1-800-461-5681. Our consultants are available to assist you.



When calling:

Please know the purchase date, and the complete model and serial number of your appliance (see the “A Note to You” section). This information will help us better respond to your request.

IF YOU NEED PARTS OR SERVICE:

Contact Inglis Limited Service from anywhere in Canada at **1-800-807-6777**.

FOR FURTHER ASSISTANCE:

If you need further assistance, you can write to Inglis Limited with any questions or concerns at:

Customer Interaction Center
Inglis Limited
1901 Minnesota Court
Mississauga, Ontario L5N 3A7

Please include a daytime phone number in your correspondence.

WARRANTY

WHIRLPOOL® MICROWAVE HOOD COMBINATION

LENGTH OF WARRANTY	WHIRLPOOL CORPORATION AND INGLIS LIMITED WILL PAY FOR:
TWO-YEAR FULL WARRANTY FROM DATE OF PURCHASE	FSP® replacement parts and repair labor to correct defects in materials or workmanship. Service must be provided by a Whirlpool designated service company.
THIRD THROUGH FIFTH YEAR LIMITED WARRANTY FROM DATE OF PURCHASE	FSP® replacement magnetron tube on microwave hood combinations if defective in materials or workmanship.
WHIRLPOOL CORPORATION AND INGLIS LIMITED WILL NOT PAY FOR:	
<p>A. Service calls to:</p> <ol style="list-style-type: none"> 1. Correct the installation of your microwave hood combination. 2. Instruct you how to use your microwave hood combination. 3. Replace house fuses or correct house wiring. 4. Replace owner-accessible light bulbs. <p>B. Repairs when your microwave hood combination is used in other than normal, single-family household use.</p> <p>C. Pickup and delivery. Your microwave hood combination is designed to be repaired in the home.</p> <p>D. Damage to your microwave hood combination caused by accident, alteration, misuse, abuse, fire, flood, acts of God, or use of products not approved by Whirlpool Corporation and Inglis Limited.</p> <p>E. Any labor costs during limited warranty.</p> <p>F. Repairs to parts or systems resulting from unauthorized modifications made to the appliance.</p> <p>G. Replacement parts or repair labor costs for units operated outside Canada.</p> <p>H. Travel or transportation expenses for customers who reside in remote areas.</p>	

6/00

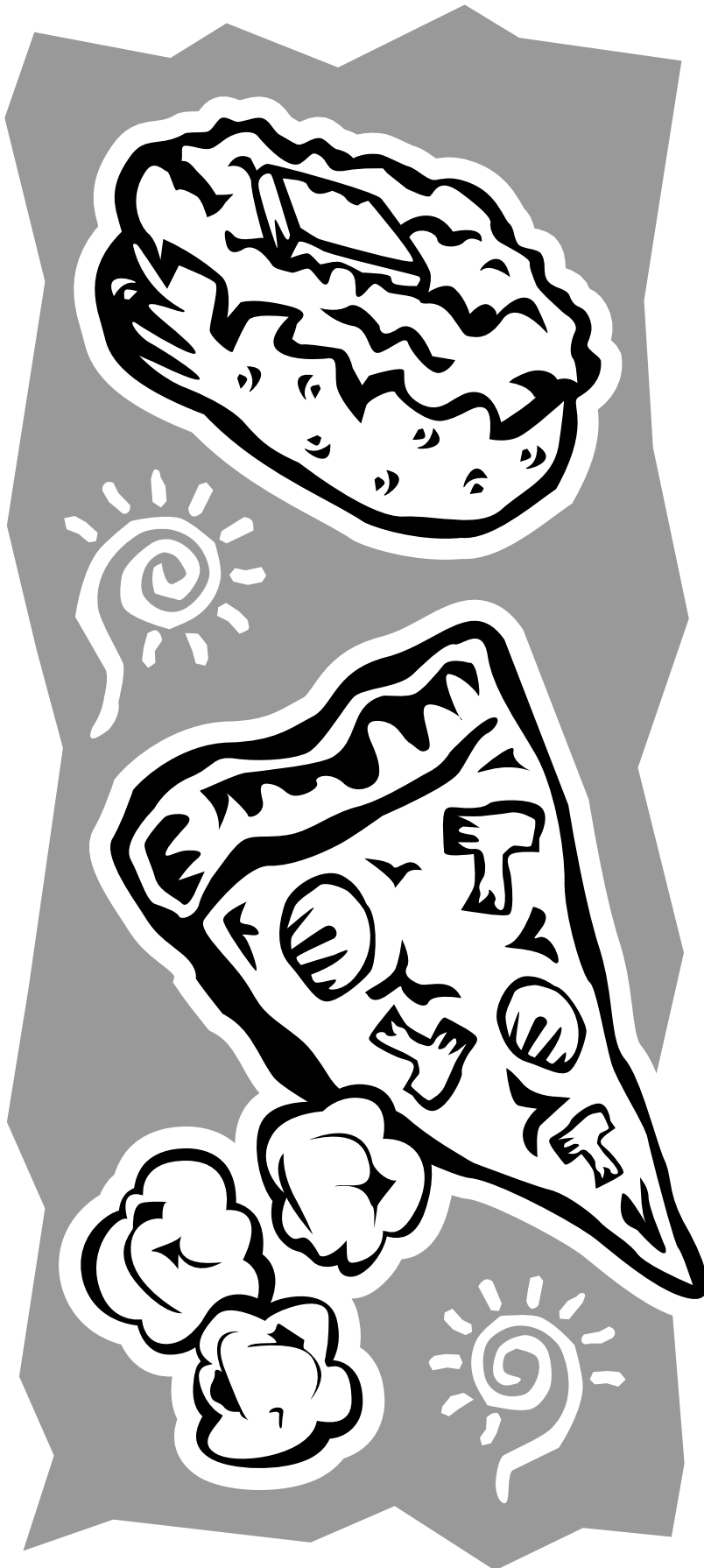
WHIRLPOOL CORPORATION AND INGLIS LIMITED SHALL NOT BE LIABLE FOR INCIDENTAL OR CONSEQUENTIAL DAMAGES. Some provinces do not allow the exclusion or limitation of incidental or consequential damages, so this exclusion or limitation may not apply to you. This warranty gives you specific legal rights, and you may also have other rights which vary from province to province.

Outside Canada, this warranty does not apply. Contact your authorized Whirlpool dealer to determine if another warranty applies.

If you need assistance or service, first see the “Troubleshooting” section of this book. After checking “Troubleshooting,” additional help can be found by checking the “Requesting Assistance or Service” section or you can call our Customer Interaction Center at **1-800-461-5681**, or writing: Customer Interaction Center, Inglis Limited, 1901 Minnesota Court, Mississauga, Ontario L5N 3A7. For service, call **1-800-807-6777**.

d'utilisation et d'entretien

Four à micro-ondes avec hotte



Note à l'utilisateur	2
Sécurité du four à micro-ondes.....	3
Instructions d'installation.....	6
Familiarisation avec le four à micro-ondes	7
Fonctionnement avec le four à micro-ondes	7
Radio-interférences.....	7
Pour obtenir les meilleurs résultats de cuisson.....	7
Test du four à micro-ondes	7
Tester votre vaisselle ou ustensiles de cuisson	8
Conseils d'utilisation	8
Connexion électrique	8
Caractéristiques du four à micro-ondes.....	9
Caractéristiques du tableau de commande.....	10
Utilisation de la grille de cuisson.....	13
Utilisation du ventilateur d'évacuation.....	13
Éclairage de la table de cuisson/du dessus de comptoir	14
Réglage de l'horloge.....	14
Utilisation de la minuterie	15
Utilisation de la caractéristique JET START	16
Changement des temps de cuisson pré-réglés.....	16
Utilisation avec le four à micro-ondes.....	17
Cuisson à la puissance maximale.....	17
Cuisson à différentes puissances.....	18
Cuisson par étapes programme de cuisson.....	19
Barre indicatrice de progrès	20
Utilisation de COOK (cuisson)	21
Utilisation de REHEAT (réchauffage).....	22
Utilisation de WARM HOLD (Garde au chaud).....	24
Utilisation de STEAM COOK (Cuisson à la vapeur)	24
Utilisation de la caractéristique de décongélation JET DEFROST™.....	26
Tableau de la caractéristique JET DEFROST™.....	27
Conseils de décongélation.....	29
Utilisation de SIMMER COOK (Cuisson par mijotage).....	30
Cuisson par détection au moyen d'une touche	31
Utilisation de la cuisson par SENSOR ONE TOUCH.....	31
Tableau de cuisson par détection au moyen d'une touche.....	32
Guide de cuisson	33
Entretien du four à micro-ondes	34
Soin des filtres	35
Remplacement des ampoules de la table de cuisson et du four	36
Questions et réponses	37
Dépannage	38
Demande d'assistance ou de service.....	39
Garantie	40

1-800-461-5681

Contactez le Centre d'interaction avec
la clientèle pour vos questions ou commentaires.

MODÈLE YGH8155XJ

4619-652-60332/8183970

www.whirlpool.com/canada

NOTE À L'UTILISATEUR

Merci d'avoir acheté un appareil ménager WHIRLPOOL®.

La marque Whirlpool s'est engagée à concevoir des produits de qualité qui donnent un rendement uniforme pour vous rendre la vie plus facile. Pour que ce produit puisse vous procurer de nombreuses années de service sans problème, nous avons préparé ce guide d'utilisation et d'entretien. Une foule de renseignements appréciables sont compris au sujet de la façon d'utiliser et de bien entretenir votre appareil électroménager. Veuillez les lire attentivement.

Veuillez aussi remplir et retourner **la carte d'enregistrement** qui accompagne le four à micro-ondes. Cette carte nous aidera à vous aviser de tout nouveau renseignement au sujet de votre four à micro-ondes.

Veillez inscrire ces renseignements concernant votre modèle.

Lors de toute demande de service au sujet de cet appareil ménager, vous devrez nous communiquer le numéro de modèle et le numéro de série au complet. On trouve cette information sur la plaque signalétique indiquant le numéro de modèle et le numéro de série (voir le schéma à la section "Familiarisation avec le four à micro-ondes").

Veillez également noter la date d'achat de l'appareil, ainsi que le nom, l'adresse et le numéro de téléphone du marchand.

Numéro de modèle _____

Numéro de série _____

Date d'achat _____

Nom du marchand _____

Adresse du marchand _____

Téléphone du marchand _____

Veillez conserver cette brochure et la facture d'achat ensemble en lieu sûr pour consultation ultérieure. Il est important que vous conserviez le reçu de vente indiquant la date d'achat. La preuve d'achat vous assurera un service au titre de la garantie.

Notre numéro du Centre d'interaction avec la clientèle est sans frais d'interurbain.

1-800-461-5681

Pour trouver des renseignements détaillés au sujet du produit, l'emplacement du marchand ou du centre de service désigné Whirlpool le plus proche, pour acheter un accessoire ou inscrire votre appareil en ligne, veuillez rendre visite à notre site web www.whirlpool.com/canada

SÉCURITÉ DU FOUR À MICRO-ONDES

Votre sécurité et celle des autres est très importante.

Nous donnons de nombreux messages de sécurité importants dans ce manuel et sur votre appareil ménager. Assurez-vous de toujours lire tous les messages de sécurité et de vous y conformer.



Voici le symbole d'alerte de sécurité.

Ce symbole d'alerte de sécurité vous signale les dangers potentiels de décès et de blessures graves à vous et à d'autres.

Tous les messages de sécurité suivront le symbole d'alerte de sécurité et le mot "DANGER" ou "AVERTISSEMENT". Ces mots signifient :

⚠ DANGER

Risque possible de décès ou de blessure grave si vous ne suivez pas immédiatement les instructions.

⚠ AVERTISSEMENT

Risque possible de décès ou de blessure grave si vous ne suivez pas les instructions.

Tous les messages de sécurité vous diront quel est le danger potentiel et vous disent comment réduire le risque de blessure et ce qui peut se produire en cas de non-respect des instructions.

IMPORTANTES INSTRUCTIONS DE SÉCURITÉ

Lors de l'utilisation de tout appareil ménager électrique on doit observer certaines précautions de sécurité fondamentales, dont les suivantes :

AVERTISSEMENT : Pour réduire le risque de brûlures, de choc électrique, d'incendie, de blessures et l'exposition excessive à l'énergie des micro-ondes :

- Lire la totalité des instructions avant d'utiliser le four à micro-ondes.
- Lire et observer les instructions spécifiques de "PRÉCAUTIONS CONTRE LE RISQUE D'EXPOSITION EXCESSIVE À L'ÉNERGIE DES MICRO-ONDES" dans cette section.
- Le four à micro-ondes doit être relié à la terre. Brancher l'appareil uniquement sur une prise de courant convenablement reliée à la terre. Voir les "INSTRUCTIONS DE LIAISON À LA TERRE" présentées dans cette section et dans les instructions d'installation fournies.
- Installer ou placer le four à micro-ondes uniquement selon les instructions d'installation fournies.
- Certains produits, comme les oeufs entiers dans leur coquille et les récipients fermés – par exemple les bocaux en verre fermés – peuvent exploser et on ne doit pas les faire chauffer dans le four à micro-ondes.
- Utiliser le four à micro-ondes uniquement pour les applications auxquelles il est destiné, telles qu'elles sont décrites dans ce manuel. Ne pas utiliser de vapeurs ou de produits chimiques corrosifs dans le four à micro-ondes. Ce type de four est spécifiquement conçu pour chauffer, cuire ou sécher des aliments. Il n'est pas conçu pour des applications industrielles ou de laboratoire.
- Comme pour tout appareil ménager, les enfants ne devraient utiliser ce four que sous une supervision adéquate.
- Ne pas faire fonctionner le four à micro-ondes si le cordon d'alimentation ou la fiche de branchement est endommagé, s'il ne fonctionne pas correctement, s'il a subi des dommages ou s'il est tombé sur le plancher.
- Tous les travaux de service doivent être exécutés exclusivement par un personnel d'entretien qualifié. Contacter un centre de service autorisé pour les opérations d'inspection, de réparation ou de réglage.
- Voir les instructions de nettoyage de la surface de la porte à la section "Entretien du four à micro-ondes".

CONSERVEZ CES INSTRUCTIONS

IMPORTANTES INSTRUCTIONS DE SÉCURITÉ

- Pour réduire le risque d'incendie dans la cavité du four :
 - Ne pas faire cuire les aliments excessivement. Surveiller attentivement le four à micro-ondes après y avoir placé des produits en papier, en plastique ou autres matériaux combustibles pour faciliter la cuisson des aliments.
 - Enlever les attaches métalliques des sachets en papier ou en plastique avant de placer de tels sachets dans le four.
 - En cas d'inflammation de matériaux placés à l'intérieur du four, maintenir la porte du four fermée, arrêter le four, débrancher le four, ou interrompre l'alimentation électrique au niveau du tableau de distribution (fusible ou disjoncteur).
 - Ne pas utiliser la cavité du four comme espace de rangement. Ne pas laisser dans le four des produits en papier, ustensiles de cuisine ou produits alimentaires, lorsqu'il n'est pas utilisé.
- Convient à l'utilisation au-dessus des appareils de cuisson au gaz et électriques.
- Destiné à l'utilisation au-dessus des cuisinières avec une largeur maximale de 36 po (91,44 cm).
- Nettoyer souvent les hottes de ventilation. Il ne faut pas laisser la graisse s'accumuler sur la hotte ou le filtre.
- Les aliments trop volumineux ou des ustensiles en métal de grande taille ne doivent pas être insérés dans le four à micro-ondes car ils peuvent créer un incendie ou un risque de choc électrique.
- Ne pas nettoyer avec des tampons métalliques à récuser. Des pièces peuvent se détacher du tampon en brûlant et venir en contact avec des pièces électriques qui pourraient causer un risque de choc électrique.
- Ne pas utiliser des produits en papier lorsque l'appareil fonctionne au mode "PAN BROWN" (sur les modèles avec cette caractéristique).
- Ne pas remiser des matériaux autres que les accessoires recommandés par le fabricant dans ce four lorsqu'il n'est pas utilisé.
- Veiller à ne rien remiser directement sur le four lorsqu'il est en service.
- Lorsque vous flambez des aliments sous la hotte, mettre le ventilateur en marche.
- Nettoyer avec soin le filtre du ventilateur de la hotte. Des agents de nettoyage corrosifs, tels que les produits de nettoyage de four à base de soude, peuvent endommager le filtre.
- Ne pas couvrir ni obstruer toute ouverture sur le four à micro-ondes.
- Ne pas remiser ce four à micro-ondes à l'extérieur. Ne pas utiliser le four à micro-ondes à proximité d'eau - par exemple, près d'un évier de cuisine, dans un sous-sol humide ou près d'une piscine ou à un emplacement similaire.
- Ne pas immerger le cordon ou la fiche de branchement dans l'eau.
- Garder le cordon d'alimentation loin des surfaces chauffées.
- Ne pas laisser le cordon d'alimentation pendre sur le bord d'une table ou d'un comptoir.
- Ne pas faire le montage au-dessus d'un évier.
- Ne pas couvrir les grilles ou autre partie du four avec du papier métallique. Cette action causera un surchauffage du four.

CONSERVEZ CES INSTRUCTIONS

PRÉCAUTIONS CONTRE LE RISQUE D'EXPOSITION EXCESSIVE À L'ÉNERGIE DES MICRO-ONDES

- (a) Ne pas tenter de faire fonctionner ce four lorsque la porte est ouverte, car ceci pourrait susciter une exposition dangereuse à l'énergie des micro-ondes. Il est important de ne pas entraver le fonctionnement correct du dispositif de verrouillage de sécurité.
- (b) Ne pas placer d'objet entre la surface avant du four et la porte, et ne jamais laisser des souillures ou résidus de produits de nettoyage s'accumuler sur les surfaces d'étanchéité.
- (c) Ne pas faire fonctionner le four lorsqu'il est endommagé. Il est particulièrement important que la porte du four ferme convenablement et que les composants suivants ne soient pas endommagés :
 - (1) Porte (déformation),
 - (2) Charnières et dispositifs de verrouillage (brisés ou desserrés),
 - (3) Joints de porte et surfaces d'étanchéité.
- (d) Seul un personnel d'entretien qualifié est habilité à exécuter des réparations ou réglages sur cet appareil.

SPÉCIFICATIONS DE L'ALIMENTATION ÉLECTRIQUE

Observer les dispositions de tous les codes et règlements en vigueur régissant les installations électriques. L'appareil doit être alimenté uniquement par un circuit 120 V CA/60 Hz, protégé par un fusible de 15 A ou 20 A (on recommande l'utilisation d'un fusible temporisé). On recommande que cet appareil soit alimenté par un circuit indépendant.

⚠ AVERTISSEMENT



Risque de choc électrique

Brancher sur une prise de courant à 3 alvéoles reliée à la terre.

Ne pas enlever la broche de liaison à la terre.

Ne pas utiliser un adaptateur.

Ne pas utiliser un câble de rallonge.

Le non-respect de ces instructions peut causer un décès, un incendie ou un choc électrique.

INSTRUCTIONS DE LIAISON À LA TERRE

• Pour tout appareil ménager connecté par un cordon d'alimentation :

Il faut que le four à micro-ondes soit relié à la terre. En cas de court-circuit électrique, la liaison à la terre réduit le risque de choc électrique car le courant électrique dispose d'un itinéraire direct d'acheminement à la terre. Le four à micro-ondes est doté d'un cordon d'alimentation électrique qui comporte un conducteur de liaison à la terre, avec broche de liaison à la terre. On doit brancher la fiche sur une prise de courant convenablement installée et reliée à la terre.

AVERTISSEMENT : L'utilisation incorrecte du dispositif de liaison à la terre peut susciter un risque de choc électrique.

L'utilisateur qui ne comprend pas bien les instructions de liaison à la terre, ou qui n'est pas certain que le four à micro-ondes soit convenablement relié à la terre, devrait consulter un électricien qualifié.

Ne pas utiliser un câble de rallonge. Si le cordon d'alimentation électrique est trop court, demander à un électricien qualifié d'installer une prise de courant à proximité du four à micro-ondes.

• Pour un appareil à connexion permanente :

Cet appareil doit être relié à un câblage métallique permanent relié à la terre, ou on doit installer avec les conducteurs d'alimentation électrique un conducteur de liaison à la terre connecté à la borne ou au fil de liaison à la terre de l'appareil.

CONSERVEZ CES INSTRUCTIONS

INSTRUCTIONS D'INSTALLATION

DÉMONTAGE ET RÉINSTALLATION DU FOUR À MICRO-ONDES AVEC HOTTE

⚠ AVERTISSEMENT

Risque de poids excessif

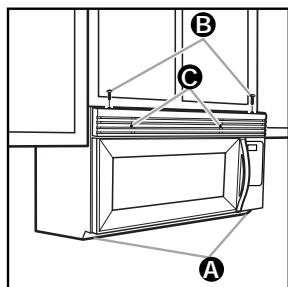
Utiliser deux ou plus de personnes pour déplacer et installer le four à micro-ondes.

Le non-respect de cette instruction peut causer une blessure au dos ou autre blessure.

S'il est nécessaire de retirer l'ensemble four à micro-ondes/hotte de son emplacement d'installation, procéder comme suit :

Démontage :

1. Débrancher le four à micro-ondes, ou interrompre l'alimentation du courant.
2. Enlever les filtres et la grille d'évent.

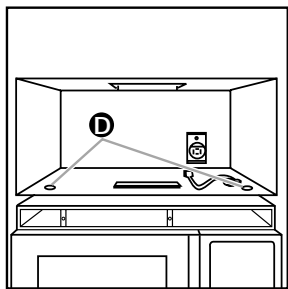


- Si les filtres **A** sont installés, pousser sur l'onglet et faire glisser chaque filtre vers le bord extérieur pour le retirer.
- Ôter les deux vis **B** au sommet de la caisse du four à micro-ondes (les vis les plus proches des

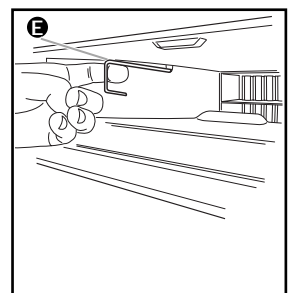
coins avant). Ne pas enlever les vis situées près du centre de la caisse.

- Enlever la grille d'évent **C**. Conserver les vis et la grille à part (s'il n'est pas possible d'enlever la grille, voir la partie 4).

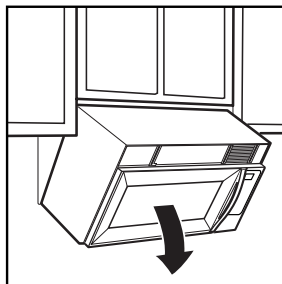
3. Après avoir enlevé tout le contenu du four, y compris le plateau rotatif et son support, immobiliser la porte à la position de fermeture avec du ruban adhésif. Retirer ensuite les deux vis **D** fixant le four à micro-ondes au placard supérieur.



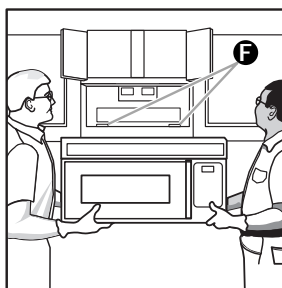
4. Maintenir l'ensemble hotte/four à micro-ondes en place d'une main. Tirer sur le crochet **E** pour séparer la hotte de la plaque de montage. S'il n'est pas possible d'enlever la grille (voir les instructions à la partie 2), insérer une boucle de fil métallique mince ou un instrument similaire à travers une ouverture de la grille, pour tirer sur le crochet.



5. Saisir le four à micro-ondes. Faire pivoter le four à micro-ondes vers le bas. (Veiller à ce que la porte ne s'ouvre pas.)



6. Soulever/tirer les pattes de support **F** en bas de la plaque de montage. Placer le four à micro-ondes de côté sur une surface protégée.



Réinstallation :

1. Soulever prudemment le four à micro-ondes; accrocher le four aux pattes de support sur le fond de la plaque de montage.
2. Faire pivoter l'avant de la caisse du four à micro-ondes vers le bas. Enfiler le cordon d'alimentation à travers le trou de passage en bas du placard supérieur.
3. Faire pivoter le four à micro-ondes vers le placard. Pousser le four à micro-ondes contre la plaque de montage, pour réaliser l'emboîtement sur le placard.
4. Réinstaller les deux vis fixant le four à micro-ondes au placard supérieur.
5. Enlever le ruban adhésif qui immobilise la porte; placer le plateau rotatif et le support dans le four.
6. Réinstaller la grille d'évent.
7. Réinstaller les deux vis au sommet de la caisse du four à micro-ondes (les vis les plus proches des coins avant).
8. S'il y a des filtres, les réinstaller (voir "Installation et entretien des filtres" si nécessaire, à la section "Entretien du four à micro-ondes".)
9. Brancher le four à micro-ondes ou rétablir l'alimentation du courant.

FAMILIARISATION AVEC LE FOUR À MICRO-ONDES

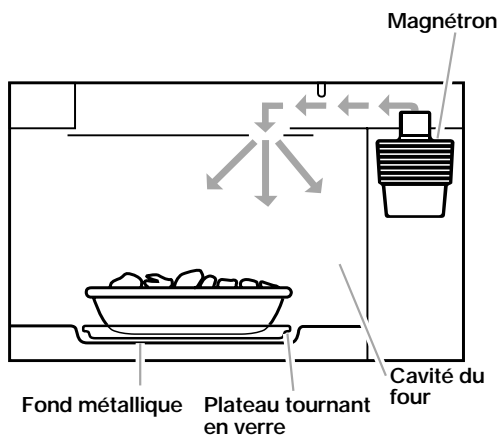
Cette section traite des concepts de la cuisson aux micro-ondes et présente les principes de base que l'utilisateur doit connaître pour faire fonctionner le four à micro-ondes. Lire ces renseignements avant d'utiliser le four.

FONCTIONNEMENT DU FOUR À MICRO-ONDES

L'énergie des micro-ondes n'est pas chaude. Les micro-ondes suscitent la génération de chaleur au sein même des aliments, et c'est cette chaleur qui cuit les aliments.

Les micro-ondes sont similaires aux ondes de la lumière ou aux ondes de télévision ou de radio. On ne peut pas les voir, mais on peut en observer les effets.

Dans le four à micro-ondes, un **magnétron** génère les micro-ondes. Les micro-ondes accèdent à la cavité du four où elles agissent sur les aliments présents sur le plateau rotatif en verre.



Le plateau tournant en verre du four à micro-ondes se laisse traverser par les micro-ondes. Les micro-ondes sont réfléchies par le fond métallique, traversent de nouveau le plateau tournant en verre, et sont absorbées par les aliments.

Les **micro-ondes** traversent sans les chauffer la plupart des matériaux comme verre, papier et plastique; ce sont les aliments qui absorbent l'énergie. Les ustensiles métalliques réfléchissent les micro-ondes, et par conséquent leur contenu n'absorbe pas l'énergie des micro-ondes.

Pour obtenir les meilleurs résultats de cuisson

- **Toujours faire cuire** les aliments pendant la période minimale recommandée. Vérifier la cuisson de l'aliment. Si nécessaire, **appuyer sur** la caractéristique JET START™ pendant le fonctionnement du four ou après le programme de cuisson (voir la section "Utilisation de la caractéristique JET START™").
- **Remuer, retourner ou réarranger** les aliments en train de cuire à peu près au milieu de la période de cuisson pour toutes les recettes. Ceci aidera à faire en sorte que l'aliment soit cuit uniformément.
- **Si vous n'avez pas un couvercle pour un plat**, utiliser du papier ciré, ou un essuie-tout ou une pellicule de plastique de 1/4 à 1/2 po (6,35 à 12,7 mm) approuvé pour les micro-ondes. Ne pas oublier de tourner un coin de la pellicule de plastique pour laisser la vapeur s'échapper durant la cuisson.

RADIO-INTERFÉRENCES

Lorsqu'il fonctionne, le four à micro-ondes peut provoquer des interférences qui perturbent la réception des radio-récepteurs, téléviseurs ou équipements similaires. En cas d'interférence, on peut la réduire ou l'éliminer au moyen des mesures suivantes :

- **Nettoyer** la porte et les surfaces d'étanchéité du four.

- **Régler** l'antenne de réception du récepteur de radio ou de télévision.
- **Déplacer** le récepteur pour l'éloigner du four à micro-ondes.
- **Brancher** le four à micro-ondes sur une prise de courant différente, afin que le four et le radio-récepteur et le téléviseur soient alimentés par des circuits différents.

TEST DU FOUR À MICRO-ONDES

Pour tester le four, mettre environ 250 mL (1 tasse) d'eau froide dans un contenant en verre dans le four. Fermer la porte. S'assurer qu'elle s'en-

clenche. Utiliser la puissance maximale pendant 2 minutes. Une fois le délai terminé, l'eau devrait être chaude.

TESTER VOTRE VAISSELLE USTENSILES DE CUISSON

Tester votre vaisselle ou ustensiles de cuisson avant l'emploi. Pour déterminer si on peut utiliser un plat en sécurité, le placer dans le four avec 250 mL (1 tasse) d'eau à côté. Faire fonctionner le four pendant 1 minute à la puissance maximale (100%). **Si le plat s'échauffe tandis que l'eau reste froide, ne pas utiliser le plat.** Certains plats (mélamine, certaines vaisselles en céramique, etc.) absorbent

l'énergie des micro-ondes et peuvent devenir trop chauds pour être tenus ou peuvent ralentir les temps de cuisson. L'emploi lors de la cuisson d'un récipient métallique non conçu pour l'utilisation dans un four à micro-ondes peut faire subir des dommages au four; il en est de même des récipients contenant des métaux dissimulés (attaches métalliques, garniture de feuille métallique, agrafes, glaçures ou garnitures métalliques).

CONSEILS D'UTILISATION

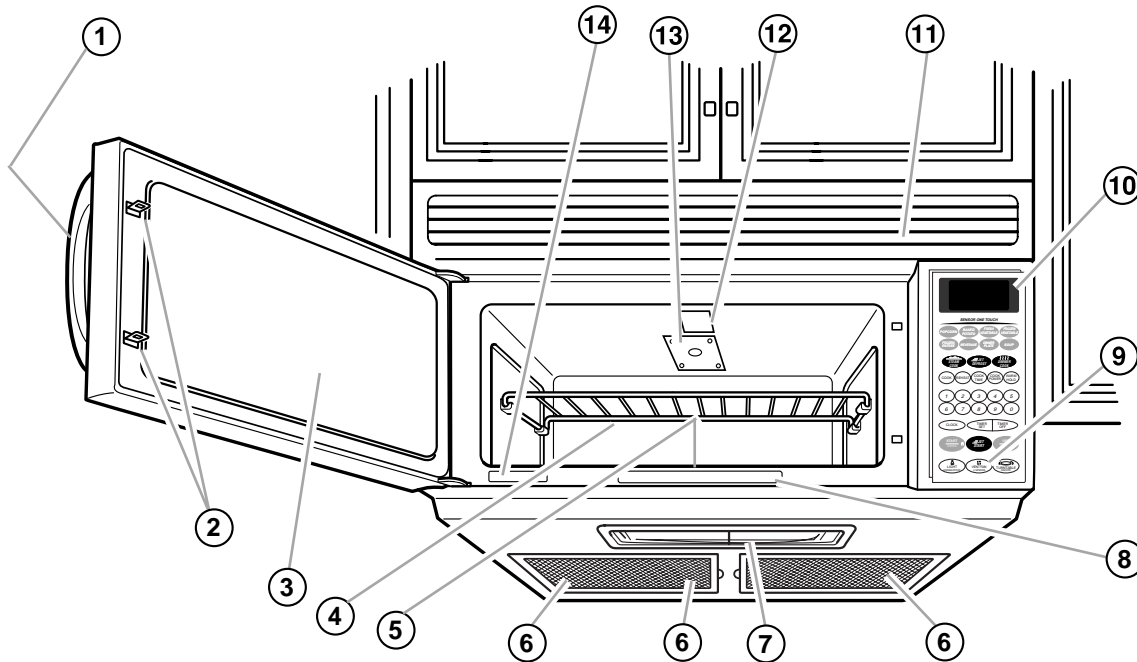
- **Ne jamais** s'appuyer sur la porte ni permettre à un enfant de se suspendre à la porte quand elle est ouverte.
- **Utiliser des moufles.** L'énergie des micro-ondes n'échauffe pas les récipients, mais les aliments chauds peuvent les échauffer.
- **Ne pas** placer de journal ou autre papier imprimé dans le four.
- **Ne pas** essayer de faire sécher des articles comme fleurs, fruits, herbes, bois, papier, gourdes ou vêtements dans le four.
- **Ne pas** faire fonctionner le four à micro-ondes lorsqu'il est vide. Ceci pourrait en réduire la longévité. Pour les essais de programmation du four, **mettre** un récipient contenant de l'eau dans le four. Il est normal que la porte du four semble être ondulée après qu'il ait fonctionné pendant quelque temps.
- **Ne pas** essayer de faire fondre de la paraffine dans le four. La cire de paraffine ne fond pas dans un four à micro-ondes, car elle est transparente aux micro-ondes.
- **Ne pas** faire fonctionner le four à micro-ondes à moins que le plateau tournant en verre soit bien en place et puisse tourner librement. Le plateau tournant peut tourner dans un sens ou l'autre. **S'assurer** que le plateau tournant est à l'endroit dans le four. **Manipuler le plateau rotatif avec soin** lorsqu'on le retire du four pour éviter de le casser. Si le plateau tournant se fend ou casse, contacter le marchand pour obtenir une pièce de rechange.
- **Quand on emploie un plat à brunissement** il doit être au moins à 5 mm ($\frac{3}{16}$ po) au-dessus du plateau tournant. Suivre le mode d'emploi fourni avec le plat à brunissement.
- **Ne jamais faire cuire ni réchauffer un œuf entier dans la coquille.** L'accumulation de vapeur dans les œufs entiers peut les faire exploser et risque d'endommager le four. **Trancher** les œufs durs avant de les réchauffer. Dans de rares cas, des œufs pochés ont explosé. **Couvrir** les œufs pochés et les **laisser** reposer pendant une minute avant de les couper.
- **Pour l'obtention des meilleurs résultats, mélanger plusieurs fois un liquide épais avant de le chauffer ou de le réchauffer.** Les liquides chauffés dans certains récipients (particulièrement les récipients de forme cylindrique), peuvent s'échauffer excessivement. Le liquide peut projeter des éclaboussures en émettant un fort bruit pendant ou après la période de chauffage, ou lors de l'addition d'ingrédients (granules de café, sachets de thé, etc.), ce qui suscite un risque de blessures pour l'utilisateur et un risque de dommages pour le four.
- **Il est possible que les micro-ondes** n'atteignent pas le centre d'un rôti. C'est la chaleur générée dans les zones périphériques du rôti qui provoque la cuisson de la zone centrale tout comme dans un four traditionnel. C'est là l'une des raisons pour lesquelles on doit prévoir un temps de repos après la cuisson de mets comme rôtis, pommes de terre, et prévoir de mélanger certains aliments au cours de la période de cuisson.
- **Ne pas cuire de friture dans le four.** Les ustensiles de cuisson pour micro-ondes ne conviennent pas et il est difficile de maintenir des températures appropriées de friture.
- **Ne pas faire cuire excessivement les pommes de terre.** À la fin du temps de cuisson recommandé, les pommes de terre devraient être encore légèrement fermes, parce que leur cuisson se poursuit au cours du temps de repos. **Après la cuisson au four à micro-ondes, laisser les pommes de terre reposer pendant 5 minutes.** Ce temps permettra à la cuisson de se terminer.

CONNEXION ÉLECTRIQUE

Si la tension de la ligne d'alimentation électrique ou de la prise de courant est inférieure à la tension normale de 110 volts, le temps de cuis-

son peut augmenter. Demander à un électricien qualifié d'inspecter l'installation électrique.

CARACTÉRISTIQUES DU FOUR À MICRO-ONDES

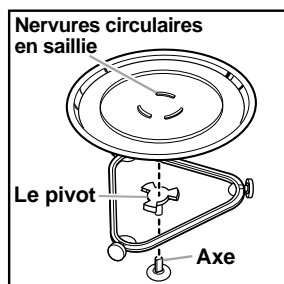


Le four à micro-ondes est conçu pour rendre la préparation des repas aussi agréable et productive que possible. On présente ci-dessous la liste des principales caractéristiques du four, pour que vous puissiez l'utiliser aussi rapidement que possible :

1. **Poignée de la porte.** Tirer pour ouvrir la porte.
2. **Système de verrouillage de sécurité de la porte.** Le four ne peut pas fonctionner si la porte n'est pas bien fermée.
3. **Hublot avec grille métallique.** La grille métallique empêche les micro-ondes de s'échapper. Il s'agit d'une grille à perforations qui permet à l'utilisateur de voir les aliments dans le four au cours de la cuisson.
4. **Grille de cuisson (N° de pce 4393826).** Utiliser la grille pour mieux utiliser l'espace disponible, pour placer plusieurs plats simultanément dans le four pour la cuisson.
5. **Plateau rotatif en verre (N° de pce 4393751) (pas illustré).** Placer le plateau dans la cavité du four selon les instructions d'installation ci-dessous. Ce plateau fait tourner le plat au cours de la cuisson du mets, ce qui rend la cuisson plus uniforme. On doit l'utiliser pour chaque cuisson pour obtenir les meilleurs résultats. On place ce plateau rotatif dans la cavité en retrait, ce qui maximise l'espace utilisable et améliore les résultats de cuisson.

6. **Filtres à graisse/filtres au charbon.** Ces filtres sont placés dans la cavité.
7. **Lampe au-dessus de la table de cuisson.** Utiliser cette lampe pour l'éclairage du comptoir ou de la table de cuisson, ou comme éclairage nocturne.
8. **Étiquette du guide de cuisson.** Information immédiatement accessible sur les diverses fonctions du four.
9. **Touches de commande pour ventilateur et lampe d'éclairage de la table de cuisson.**
10. **Tableau de commande.** Utiliser les touches tactiles ou pour sélectionner les diverses fonctions.
11. **Grille d'évent.**
12. **Lampe – cavité du four.**
13. **Couvercle – orifice d'introduction des micro-ondes.**
14. **Plaque signalétique** (numéros de modèle et de série).
15. **Plat ovale de cuisson à la vapeur TupperWare® de Tupperware (non illustré).** Utiliser le plat ovale de cuisson à la vapeur avec la grille de cuisson à la vapeur en place pour les aliments tels que poisson, légumes et pommes de terre. Utiliser le plat ovale de cuisson à la vapeur sans la grille de cuisson à la vapeur en place, pour les aliments tels que le riz, les pâtes alimentaires et les haricots blancs.

Installation du plateau rotatif et de son support:



- Enlever le ruban adhésif du pivot (n° de pce 4393754).
- Placer le support (n° de pce 4393752) sur le fond de la cavité du four.
- Placer le plateau rotatif sur le pivot. Veiller à placer les nervures circulaires du centre du dessous du plateau entre les trois branches du pivot.

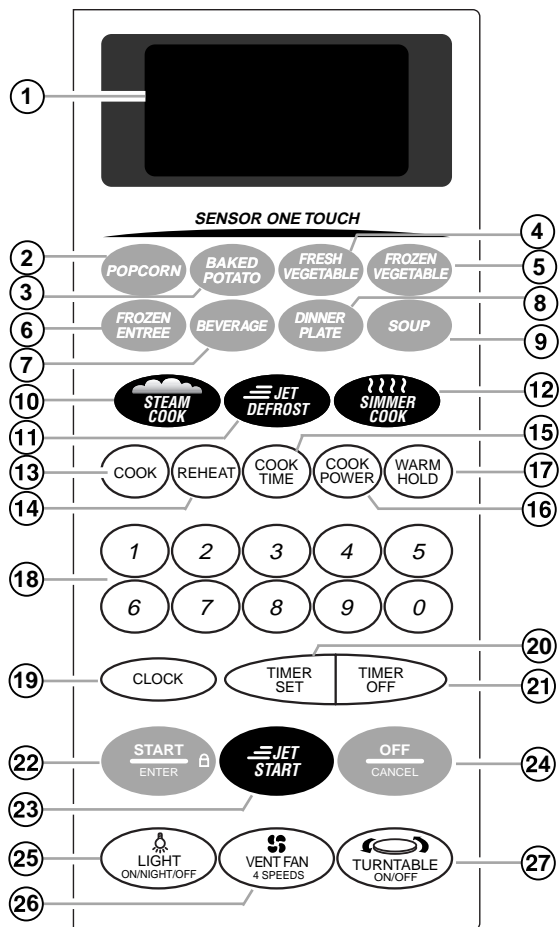
- Les galets (n° de pce 4393753) du support doivent être placés à l'intérieur de la partie en saillie au fond du plateau rotatif.
- Le plateau rotatif tourne dans le sens horaire et dans le sens antihoraire. Ceci est normal.

CARACTÉRISTIQUES DU TABLEAU DE COMMANDE

Le tableau de commande du four à micro-ondes permet à l'utilisateur de sélectionner rapidement et facilement les fonctions de cuisson désirées. On présente ci-dessous la liste des touches de commande du tableau de commande.

Pour plus de renseignements sur ces caractéristiques, voir la section "Utilisation du four à micro-ondes".

1. **Afficheur.** L'afficheur comprend une horloge et des indicateurs qui donnent l'heure du jour, les réglages de temps de cuisson et les fonctions de cuisson.
2. **POPCORN (Maïs soufflé).** Appuyer sur cette touche pour préparer du maïs soufflé dans le four à micro-ondes. Le capteur du four détermine le temps de cuisson en fonction de la quantité à servir.
3. **BAKED POTATO (Pomme de terre au four).** Appuyer sur cette touche pour faire cuire 1 à 4 pommes de terre, sans entrer la puissance de chauffage ou le temps de cuisson. Le capteur du four indiquera au four le temps de cuisson en fonction de la quantité d'humidité qu'il détecte des pommes de terre.
4. **FRESH VEGETABLE (Légumes frais).** Appuyer sur cette touche pour faire cuire de 1 à 4 tasses (250 mL à 1 L) de légumes frais, sans entrer la puissance de chauffage ou le temps de cuisson. Le capteur du four indiquera au four le temps de cuisson en fonction de la quantité d'humidité qu'il détecte des légumes.
5. **FROZEN VEGETABLE (Légumes congelés).** Appuyer sur cette touche pour faire cuire de 1 à 4 tasses (250 mL à 1 L) de légumes congelés, sans entrer la puissance de chauffage ou le temps de cuisson. Le capteur du four indiquera au four le temps de cuisson en fonction de la quantité d'humidité qu'il détecte des légumes.
6. **FROZEN ENTREE (Mets congelés).** Appuyer sur cette touche pour faire cuire un mets congelé de 10 à 20 oz (283 ou 567 g), sans entrer la puissance de chauffage ou le temps de cuisson. Le capteur du four indiquera au four le temps de cuisson en fonction de la quantité d'humidité qu'il détecte du mets congelé.
7. **BEVERAGE (Boisson).** Appuyer sur cette touche pour faire chauffer une ou deux tasses de 8 oz (250 mL) d'une boisson, sans entrer la puissance de chauffage ou le temps de cuisson. Le capteur du four indiquera au four le temps de cuisson en fonction de la quantité d'humidité qu'il détecte de la boisson.
8. **DINNER PLATE (Assiettée).** Appuyer sur cette touche pour faire chauffer une assiettée d'aliments sans entrer la puissance de chauffage ou le temps de cuisson. Le capteur du four indiquera au four le temps de cuisson en fonction de la quantité d'humidité qu'il détecte de l'aliment.
9. **SOUP (Soupe).** Appuyer sur cette touche pour faire chauffer 1 à 4 tasses (250 mL à 1 L) de soupe sans entrer la puissance de chauffage ou le temps de cuisson. Le capteur du four indiquera au four le temps de cuisson en fonction de la quantité d'humidité qu'il détecte de la soupe.



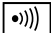
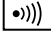
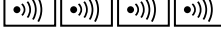
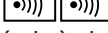
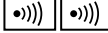
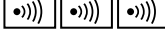
10. **STEAM COOK (Cuisson à la vapeur).** Appuyer sur cette touche pour faire porter l'aliment et le liquide rapidement à une température d'ébullition. La fonction s'ajustera automatiquement à une température de vapeur pour éviter l'ébullition excessive.
11. **CARACTÉRISTIQUE JET DEFROST™ (Décongélation).** Appuyer sur cette touche pour décongeler les aliments surgelés sans entrer les temps et les puissances de chauffage.
12. **SIMMER COOK (Cuisson par mijotage).** Appuyer sur cette touche pour faire mijoter les soupes, mets en sauces, ragoûts et autres aliments liquides.
13. **COOK (Cuisson).** Appuyer sur cette touche pour faire cuire des aliments qui peuvent être cuisis au four à micro-ondes, sans entrer les temps et les puissances de chauffage.
14. **REHEAT (Réchauffage).** Appuyer sur cette touche pour réchauffer des aliments qui vont aux micro-ondes sans entrer les temps et les puissances de chauffage.
15. **COOK TIME (Temps de cuisson).** Appuyer sur cette touche, ensuite sur les touches numériques pour régler un temps de cuisson.
16. **COOK POWER (Puissance de chauffage).** Appuyer sur cette touche lorsque le temps de cuisson a été réglé, suivi par une touche numérique afin de régler la quantité d'énergie des micro-ondes utilisée pour faire cuire l'aliment. Appuyer aussi sur cette touche pour prolonger ou raccourcir un temps de cuisson pré-réglé.

CARACTÉRISTIQUES DU TABLEAU DE COMMANDE (SUITE)

17. **WARM HOLD (Garder au chaud).** Appuyer sur cette touche pour garder au chaud les aliments cuits et tièdes dans votre four à micro-ondes. On peut utiliser WARM HOLD indépendamment ou pour suivre automatiquement un programme de cuisson.
18. **Touches numériques.** Appuyer sur les touches numériques pour entrer les temps de cuisson, puissances de chauffage, quantités, poids, catégories d'aliments.
19. **CLOCK SET (Réglage de l'horloge).** Appuyer sur cette touche pour entrer l'heure du jour.
20. **TIMER SET (Réglage de la minuterie).** Appuyer sur cette touche pour régler la minuterie.
21. **TIMER OFF (Arrêt de la minuterie).** Appuyer sur cette touche pour annuler la minuterie.
22. **START/ENTER (Mise en marche/Entrée).** Appuyer sur cette touche pour commander la mise en marche d'une fonction.
23. **Caractéristique JET START™.** Appuyer sur cette touche pour faire cuire l'aliment pendant 30 secondes à la puissance de chauffage maximale.
24. **OFF/CANCEL (Arrêt/Annulation).** Appuyer sur cette touche pour effacer une commande incorrecte, annuler le programme durant la cuisson ou pour effacer l'affichage.
25. **LIGHT ON/NIGHT/OFF (Lumière et veilleuse).** Appuyer sur cette touche pour allumer la lumière ou la veilleuse ou les éteindre.
26. **VENT FAN 4 SPEEDS (Ventilateur à 4 vitesses).** Appuyer sur cette touche et choisir 1, 2, 3, 4 ou 0 pour la vitesse de votre ventilateur.
27. **TURNTABLE ON/OFF (Marche/arrêt du plateau rotatif).** Appuyer sur cette touche pour faire tourner ou arrêter le plateau rotatif.

Signaux sonores

Votre four à micro-ondes est fourni avec signaux sonores qui peuvent vous guider lors du réglage et de l'utilisation du four.

-  Un signal sonore de programmation est émis lors de chaque pression sur une touche.
-  Un long signal sonore indique la fin d'une période de minutage à rebours de la minuterie.
-  Quatre signaux sonores indiquent la fin d'une période de cuisson.
-  Deux signaux sonores courts et rapides sont émis à chaque minute pendant les 15 premières minutes après un signal de fin d'une période de cuisson, pour rappeler à l'utilisateur qu'il faut retirer le mets du four.
-  Deux signaux sonores courts et rapides sont émis pendant que vous entrez ou sortez une caractéristique dissimulée (par exemple, verrouillage contre les enfants).
-  Trois signaux sonores sont émis après une entrée incorrecte au cours de la programmation.

Pour désactiver le signal sonore de programmation :
APPUYER SUR

1

et maintenir la pression pendant 5 secondes

Pour remettre en marche le signal sonore de programmation :

APPUYER SUR

1

et maintenir la pression pendant 5 secondes

Pour désactiver tous les signaux sonores à l'exception du signal de fin de minuterie :

APPUYER SUR

2

et maintenir la pression pendant 5 secondes

Pour activer les signaux sonores :

APPUYER SUR

2

et maintenir la pression pendant 5 secondes

REMARQUE : Deux signaux sonores seront entendus lorsque les signaux sonores sont activés ou désactivés. Ceci surviendra seulement lorsque le four est au mode d'attente.

Interruption de la cuisson

Il suffit d'ouvrir la porte du four pour interrompre la cuisson au cours d'un programme de cuisson. Le four cesse immédiatement de chauffer le ventilateur s'arrête, mais la lampe reste allumée. Pour reprendre la cuisson, fermer la porte du four et

APPUYER SUR

START
ENTER

Si on ne désire pas reprendre la cuisson :

- Fermer la porte du four et la lampe s'éteint.

OU

- **APPUYER SUR**

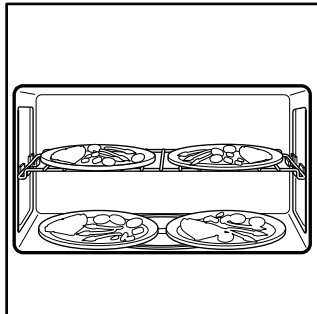
OFF
CANCEL

REMARQUE : Avant de régler une fonction, appuyer sur OFF/CANCEL pour s'assurer qu'il n'y a pas d'autres fonctions en marche.

CARACTÉRISTIQUES DU TABLEAU DE COMMANDE (SUITE)

Chauffage de plusieurs assiettes

Lors de la cuisson d'aliments avec temps de cuisson sélectionné par l'utilisateur, on peut placer deux assiettes de 26,7 cm (10 1/4 po) côte à côte, ou bien une assiette plus grande que le plateau rotatif et deux assiettes sur la grille supérieure, soit 4 assiettes en tout. Pour obtenir les meilleurs résultats, vers le milieu de la période de cuisson, tourner les assiettes d'un demi-tour jusqu'à ce que l'élément en avant de l'assiette soit à l'arrière. Procéder de même pour le réchauffage d'un plus grand plat de cuisson de 9 à 13 po (23 à 39 cm). Lors du chauffage de 4 assiettes, les tourner comme indiqué dessous et changer les assiettes du dessus avec celle du bas. Pour faire chauffer ensemble les deux assiettes au bas ou une assiette plus grande,



le plateau rotatif doit être immobilisé. Vous pouvez l'immobiliser en appuyant sur la touche TURNTABLE ON/OFF. "TURNTABLE OFF" apparaît sur l'affichage. Si vous appuyez sur la touche TURNTABLE ON/OFF avant de mettre en marche la fonction de cuisson, votre four vous avertira d'entrer un temps de cuisson sans avoir à toucher COOK TIME. Votre plateau rotatif sera remis en marche lorsque la cuisson est terminée ou lorsque vous appuyez sur OFF/CANCEL (Arrêt/annulation).



le plateau rotatif doit être immobilisé. Vous pouvez l'immobiliser en appuyant sur la touche TURNTABLE ON/OFF. "TURNTABLE OFF" apparaît sur l'affichage. Si vous appuyez sur la touche TURNTABLE ON/OFF avant de mettre en marche la fonction de cuisson, votre four vous avertira d'entrer un temps de cuisson sans avoir à toucher COOK TIME. Votre plateau rotatif sera remis en marche lorsque la cuisson est terminée ou lorsque vous appuyez sur OFF/CANCEL (Arrêt/annulation).

REMARQUE : On ne peut commander l'immobilisation du plateau rotatif lorsqu'on sélectionne une fonction de cuisson automatique.

Utilisation du verrouillage du four


Le verrouillage du four immobilise les touches du tableau de commande pour empêcher l'utilisation accidentelle du four à micro-ondes.

Pour verrouiller le tableau de commande :

APPUYER SUR




et maintenir la pression pendant 5 secondes

Deux signaux sonores seront entendus et  apparaîtra sur l'affichage. Lorsque le tableau de commande est verrouillé, trois signaux sonores seront entendus et le mot LOCK apparaîtra si vous appuyez sur n'importe quelle touche à l'exception de VENT FAN 4 SPEEDS et LIGHT ON/NIGHT/OFF, les touches numériques 1 et 2 et START/ENTER.

Pour déverrouiller le tableau de commande :
APPUYER SUR



et maintenir la pression pendant 5 secondes

Deux signaux sonores seront entendus et  disparaîtra de l'affichage.

Utilisation de la caractéristique démonstration/renseignements

Vous pouvez régler le four à micro-ondes pour afficher vos commandes alors que vous les entrez, sans mettre en marche le magnétron. Cette caractéristique vous aide à apprendre à utiliser votre four sans faire cuire réellement vos aliments. Ceci surviendra seulement lorsque le four est au mode d'attente.

Pour régler la caractéristique démonstration/renseignements :

APPUYER SUR



et maintenir la pression pendant 5 secondes

Deux signaux sonores seront entendus et un petit "d" apparaîtra sur l'affichage.

Pour annuler la caractéristique démonstration/renseignements :

APPUYER SUR



et maintenir la pression pendant 5 secondes

Deux signaux sonores seront entendus et le petit "d" disparaîtra de l'affichage.

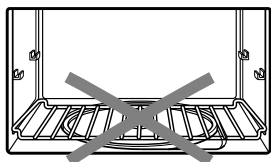
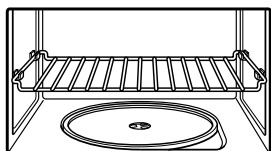
UTILISATION DE LA GRILLE DE CUISSON

La grille de cuisson permet une meilleure utilisation de l'espace disponible pour la cuisson simultanée du contenu de plusieurs récipients.

Si vous avez besoin d'une grille de remplacement (pièce no 4393826), vous pouvez en commander une de votre compagnie de service désignée ou en appelant le Centre d'interaction avec la clientèle en composant le **1-800-807-6777**. S'assurer d'avoir le numéro de modèle de votre four lors de la commande.

Insertion de la grille.

Placer correctement la grille sur ses supports (sur les parois latérales du four).



REMARQUES:

- Utiliser la grille de cuisson uniquement pour faire cuire le contenu de deux récipients sur plus de 1 niveau.
- Utiliser la grille uniquement dans le four à micro-ondes.
- Ne pas laisser le récipient placé sur la grille toucher le sommet ou les parois du four.
- Ne pas utiliser la grille avec le plat de brunissage.
- Ne pas placer un récipient de cuisson en métal sur la grille.
- Ne pas faire fonctionner le four lorsque la grille est placée sur le fond du four; ceci pourrait faire subir des dommages à la finition intérieure du four.
- Utiliser des mitaines de four pour sortir les articles du four à micro-ondes.
- Ne pas faire cuire des aliments directement sur la grille. Les placer d'abord dans des contenants allant au micro-ondes.
- Ne pas remiser la grille en métal dans le four. Des étincelles et des dommages au four pourraient en résulter si une personne met accidentellement le four en marche.

UTILISATION DU VENTILATEUR D'ÉVACUATION

La touche en bas à gauche du tableau de commande contrôle le ventilateur d'évacuation à 4 vitesses.

REMARQUE : Deux secondes après le dernier appui sur la touche VENT FAN 4 SPEEDS, l'affichage retourne à l'affichage précédent.

1. Choisir la vitesse du ventilateur.

APPUYER SUR



Appuyer sur la touche et la décompte passera de 4 à 0. Choisir le réglage désiré.

REMARQUE : Si la température de la cuisinière ou de la table de cuisson au-dessous du four à micro-ondes devient trop chaude, le ventilateur d'évacuation de la hotte d'aspiration se mettra automatiquement en marche au réglage HIGH (Haut) pour protéger le four. **Le ventilateur peut fonctionner pendant une période maximale de 1 heure pour refroidir le four. Dans ce cas, la touche VENT FAN 4 SPEEDS, n'arrêtera pas le ventilateur.**

2. Arrêter le ventilateur en faisant le réglage à 0.

APPUYER SUR



ÉCLAIRAGE DE LA TABLE DE CUISSON/DU DESSUS DE COMPTOIR

La touche en bas à droite du tableau de commande contrôle l'éclairage de la table de cuisson/dessus de comptoir

1. Allumer la lampe.

APPUYER SUR



(une fois pour la lumière régulière, deux fois pour la veilleuse)

2. Éteindre la lampe à votre gré.

APPUYER SUR



(1 ou 2 fois, en fonction du réglage de la lumière)

RÉGLAGE DE L'HORLOGE

Lors du branchement initial du four ou après une panne de courant, l'affichage indiquera « : » . Si une heure du jour n'est pas réglée, « : » clignotera jusqu'au moment où l'on appuie sur une touche.

REMARQUES :

- Si on appuie sur une heure invalable et si on appuie sur CLOCK (horloge), trois signaux sonores seront entendus. Entrer l'heure correcte.
- Si on appuie sur la touche CANCEL/OFF (annulation/arrêt) lors du réglage de l'horloge, l'affichage affichera la dernière heure de réglage.
- Pour arrêter l'horloge, appuyer sur CLOCK, la touche numérique 0 et de nouveau sur CLOCK, et l'heure réglée disparaîtra et « : » apparaîtra sur l'affichage.

1. Appuyer sur CLOCK.

APPUYER SUR **ON OBSERVE**

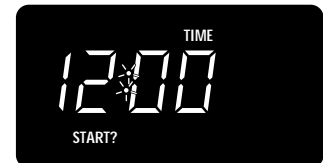


2. Entrer l'heure du four.

Exemple pour 12:00 :

APPUYER SUR

ON OBSERVE



3. Compléter votre entrée.

APPUYER SUR

ON OBSERVE



OU



UTILISATION DE LA MINUTERIE

Vous pouvez utiliser votre four à micro-ondes comme minuterie de cuisine. Utiliser la minuterie pour des périodes allant jusqu'à 99 minutes.

REMARQUE : Le four peut fonctionner pendant que la minuterie est utilisée. Pour lire le compte à rebours de la minuterie pendant une période de cuisson, appuyer sur la touche TIMER SET.

1. Appuyer sur TIMER SET.

APPUYER SUR ON OBSERVE



REMARQUE : Si vous n'exécutez pas cette étape moins de 5 secondes après l'étape 2, "START?" apparaîtra. Vous avez alors 1 minute pour appuyer sur TIMER SET ou START/ENTER avant que l'affichage retourne à l'heure du jour. À la fin du compte à rebours :

ON OBSERVE



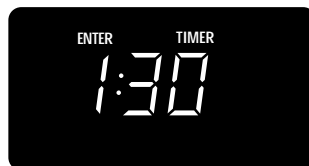
Pour annuler la minuterie :

Durant le compte à rebours :

2. Entrer la durée de la période du compte à rebours.

Exemple pour 1 minute, 30 secondes :

APPUYER SUR ON OBSERVE



APPUYER SUR ON OBSERVE



OU



(heure du jour)

REMARQUE : Si vous entrez plus de 4 chiffres, les 4 premiers chiffres disparaîtront et le ou les chiffres suivants apparaîtront du côté droit alors que vous les entrez.

3. Commencer le compte à rebours.

APPUYER SUR ON OBSERVE



OU



UTILISATION DE LA CARACTÉRISTIQUE JET START™

La caractéristique JET START vous permet de faire cuire des aliments pendant 30 secondes à une puissance de chauffage maximale ou d'ajouter 30 secondes de plus à votre programme de temps de cuisson. Vous pouvez aussi utiliser cette caractéristique pour prolonger les temps de cuisson en multiples de 30 secondes, jusqu'à 99 minutes.

REMARQUES :

- Pour prolonger les programmes de temps de cuisson en multiples de 30 secondes, appuyer sur la touche de la caractéristique JET START d'une façon répétée pendant la cuisson.
- Après avoir fermé la porte, vous pouvez entrer la caractéristique JET START sans avoir à appuyer sur START/ENTER.
- Si vous appuyez sur la touche de la caractéristique JET START durant la cuisson, le four fera la cuisson à la puissance de chauffage actuellement choisie. Si vous appuyez sur la touche de la caractéristique JET START après la fin de la cuisson, le four fera la cuisson à la puissance de chauffage maximale. Vous pouvez aussi changer la puis-

sance de chauffage après avoir appuyé sur la touche de la caractéristique JET START en appuyant sur COOK POWER (puissance de chauffage), les touches numériques pour la nouvelle puissance de chauffage et sur START/ENTER. Vous pouvez utiliser la caractéristique JET START seulement pour la fonction du temps de cuisson.

1. S'assurer que l'aliment est dans le four.

2. Appuyer sur la touche de la caractéristique JET START.

APPUYER SUR



ON OBSERVE



Exemple pour une cuisson pendant 30 secondes :

CHANGEMENT DES TEMPS DE CUISSON PRÉRÉGLÉS

Si un temps de cuisson pré réglé est trop long ou trop court, on peut prolonger ou raccourcir le temps de cuisson après avoir choisi COOK, REHEAT, la caractéristique JET DEFROST™ ou la commande ONE TOUCH de détection excepté pour le réglage POP-CORN (maïs soufflé). Pour une fonction rapide, vous pouvez seulement changer le temps de cuisson après avoir entré une quantité d'aliments, mais avant le commencement de la cuisson. Pour la commande ONE TOUCH de détection, vous pouvez seulement changer le temps de cuisson dans l'intervalle de 20 secondes après avoir choisi le type d'aliments.

Par exemple, dans le réglage REHEAT, après avoir choisi le type d'aliments et avoir rempli la quantité :

Pour prolonger le temps de cuisson :

APPUYER SUR



une fois

ON OBSERVE



(exemple pour réchauffage automatique)

Pour raccourcir le temps de cuisson :

APPUYER SUR



deux fois

ON OBSERVE



Pour régler de nouveau le temps de cuisson original :

APPUYER SUR



trois fois

ON OBSERVE



UTILISATION DU FOUR À MICRO-ONDES

Cette section vous donne des instructions pour chaque fonction. Veuillez lire ces instructions attentivement.

CUISSON À LA PUISSANCE MAXIMALE

1. Placer votre aliment dans le four et fermer la porte.

2. Appuyer sur COOK TIME (temps de cuisson).

APPUYER SUR

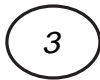


ON OBSERVE



3. Entrer le temps de cuisson.

APPUYER SUR



ON OBSERVE



Exemple pour 1 minute, 30 secondes :

4. Mettre le four en marche.

APPUYER SUR



ON OBSERVE



À la fin du temps de cuisson :

ON OBSERVE



(quatre signaux sonores seront entendus)

Instructions de changement

On peut changer le temps de cuisson à tout moment durant la cuisson en répétant les étapes 2, 3 et 4.

CUISSON À DIFFÉRENTES PUISSANCES

Pour l'obtention de meilleurs résultats, certains recettes recommandent des puissances de chauffage différentes. Plus la puissance de chauffage est faible, plus la cuisson est lente. Chaque touche numérique représente aussi un pourcentage différent de puissance de chauffage. De nombreux livres de recettes aux micro-ondes vous indiquent par un chiffre, un pourcentage ou un nom quelle puissance de chauffage employer.

Le tableau suivant vous donne le pourcentage de puissance de chauffage que représente chaque touche numérique de même que le nom de la puissance de chauffage de cuisson habituellement utilisée. Le tableau indique aussi quand utiliser chaque puissance de chauffage. Suivre la recette ou le mode d'emploi sur l'emballage si disponible.

REMARQUE : Consulter un livre de recettes fiable pour les temps de cuisson.

PUISSANCE DE CHAUFFAGE	APPELLATION	UTILISATION
10 = 100% de la puissance maximale (automatique)	Haute	<ul style="list-style-type: none"> ● Réchauffage rapide d'aliments préparés et d'aliments contenant beaucoup d'eau, tels que soupes, boissons et la plupart des légumes
9 = 90% de la puissance maximale		<ul style="list-style-type: none"> ● Cuisson de petits morceaux tendres de viande, viande hachée, morceaux de volaille et filets de poissons ● Chauffage de soupes en crème
8 = 80% de la puissance maximale		<ul style="list-style-type: none"> ● Réchauffage de riz, pâtes alimentaires ou plats en sauce ● Cuisson et chauffage d'aliments qui demandent une puissance de chauffage moindre que maximale (p. ex. poisson entier et pain de viande)
7 = 70% de la puissance maximale	Moyenne-haute	<ul style="list-style-type: none"> ● Réchauffage d'une seule portion d'aliments
6 = 60% de la puissance maximale		<ul style="list-style-type: none"> ● Cuisson d'aliments délicats tels que les plats au fromage et aux oeufs, les poudings et flans ● Cuisson de plats en sauce non remuables tels que la lasagne
5 = 50% de la puissance maximale	Moyenne	<ul style="list-style-type: none"> ● Cuisson de jambon, volaille entière et rôtis ● Pour faire fondre le chocolat
4 = 40% de la puissance maximale		<ul style="list-style-type: none"> ● Mijotage des ragoûts ● Chauffage du pain, des brioches et des pâtisseries
3 = 30% de la puissance maximale	Moyenne-basse, décongeler	<ul style="list-style-type: none"> ● Décongélation d'aliments comme pain, poisson, viande, volaille et mets précuits.
2 = 20% de la puissance maximale		<ul style="list-style-type: none"> ● Amollissement du beurre, fromage et crème glacée
1 = 10% de la puissance maximale	Basse	<ul style="list-style-type: none"> ● Maintien des aliments au chaud ● Élimination du froid des fruits

CUISSON À DIFFÉRENTES PUISSANCES (SUITE)

Instructions de changement

On peut changer les temps de cuisson ou les puissances de chauffage pour une étape à tout moment après le début de cette étape en répétant les étapes 2, 3 et/ou 4 et 5.

1. Placer l'aliment dans le four et fermer la porte.

2. Appuyer sur COOK TIME (temps de cuisson).

APPUYER SUR



ON OBSERVE



3. Entrer le temps de cuisson.

APPUYER SUR



ON OBSERVE



Exemple pour 7 minutes, 30 secondes :

4. Régler la puissance de chauffage.

APPUYER SUR



ON OBSERVE



Exemple pour puissance de cuisson à 50 %

APPUYER SUR



OU



ON OBSERVE



(répéter jusqu'à ce que la puissance de chauffage désirée apparaisse)

5. Mettre le four en marche.

APPUYER SUR



ON OBSERVE



À la fin du temps de cuisson :

ON OBSERVE



(quatre signaux sonores seront entendus)

CUISSON PAR ÉTAPES

Pour l'obtention de meilleurs résultats, certaines recettes indiquent une puissance de chauffage pour une certaine durée, et une autre puissance de chauffage pour une autre durée. Votre four peut être réglé pour changer automatiquement d'une puissance à une autre et ce jusqu'à 3 étapes.

Vous pouvez sélectionner des fonctions de cuisson dans un ordre quelconque. Cependant si on utilise la caractéristique JET DEFROST™, ce réglage doit être fait en premier.

REMARQUE : On ne peut pas faire la cuisson par détection avec la cuisson par étapes.

1. Placer l'aliment dans le four et fermer la porte.

2. Appuyer sur COOK TIME (temps de cuisson).

APPUYER SUR



ON OBSERVE



suite à la page suivante

CUISSON PAR ÉTAPES (SUITE)

3. Entrer le temps de cuisson pour la première étape.

APPUYER SUR ON OBSERVE

7

3

0



Exemple pour 7 minutes, 30 secondes :

4. Régler la puissance de chauffage pour la première étape.

APPUYER SUR ON OBSERVE

COOK
POWER



Exemple pour puissance de cuisson à 50 %

APPUYER SUR ON OBSERVE

5

OU

COOK
POWER



(répéter jusqu'à ce que la puissance de chauffage désirée apparaisse)

5. Répéter les étapes 2, 3 et 4 pour régler le temps de cuisson et la puissance de chauffage pour chaque étape additionnelle.

6. Mettre le four en marche.

APPUYER SUR ON OBSERVE



Après la fin de la première étape, la prochaine étape (ou les prochaines étapes) commencera à compter à rebours. À la fin du temps de cuisson :

ON OBSERVE



(quatre signaux sonores seront entendus)

Instructions de changement

On peut changer les temps de cuisson ou les puissances de chauffage pour une étape à tout moment après le début de cette étape en répétant les étapes 2, 3 et/ou 4 et 5.

BARRE INDICATRICE DE PROGRÈS

L'affichage contient une barre d'indication de progrès, qui indique jusqu'à quel point les fonctions de cuisson sont rendues et combien il reste de fonctions à exécuter. La longueur complète de la barre représente le temps de fonctionnement estimé du programme de cuisson. La barre indicatrice de progrès avance ligne par ligne au cours d'un programme.



Les 12 segments de la barre indicatrice de progrès donnent une estimation du progrès au cours de la cuisson et montrent le rapport de temps qui reste aux fonctions de cuisson. À la fin du programme de cuisson, tous les 12 segments seront allumés.

REMARQUE : La barre indicatrice de progrès apparaît avec COOK, JET DEFROST™, REHEAT et Sensor ONE TOUCH Cooking, mais non avec les fonctions de cuisson manuelles.

UTILISATION DE COOK (CUISSON):

Vous pouvez faire cuire des aliments qui vont aux micro-ondes tout simplement en choisissant une catégorie et la quantité. Le programme COOK a des temps et des puissances de chauffage pré-réglés pour 5 catégories (voir tableau ci-après).

Pour utilisation de COOK, suivre les étapes ci-dessous :

1. Touch



une fois

ON OBSERVE



2. Appuyer sur COOK 1 à 5 fois pour choisir le type d'aliment.



Exemple pour
bacon

3 fois

OU

Appuyer sur une touche numérique pour choisir le type d'aliment.



Exemple
pour bacon

ON OBSERVE



3. Appuyer sur la touche numérique pour entrer la quantité.



Exemple pour 3
tranches

ON OBSERVE



4. Appuyer sur



ON OBSERVE



(le compte à
rebours peut
varier)

REMARQUES :

- Si vous n'entrez pas une quantité en moins de 2 secondes, COOK vous incitera à choisir une quantité. Vous avez alors 1 minute pour entrer une quantité et pour appuyer sur START/ENTER (mise en marche/entrée). À défaut de le faire, le réglage de COOK sera annulé.
- Si vous appuyez sur COOK 6 fois, l'affichage retourne au réglage Rice (riz).
- Si vous avez besoin de plus ou de moins de temps, ne pas appuyer de nouveau sur la touche COOK. Appuyer sur la touche COOK POWER avant d'appuyer sur la touche START/ENTER. (Voir "Changement des temps de cuisson pré-réglés" dans la section "Familiarisation avec le four à micro-ondes".)
- Lors de la cuisson du bacon, considérer que les différences de quantité de graisse, de viande, de l'épaisseur et de la salaison du produit affecteront la façon dont le bacon est cuit. De même, le bacon en tranches régulières donne en moyenne environ 16 tranches par livre (0,5 kg).
- La barre d'indication de progrès montre le temps approximatif qui reste.

UTILISATION DE COOK (CUISSON) (SUITE)

Ce tableau vous montre comment choisir un type d'aliment et en quelle quantité pour chaque type.

ALIMENT	APPUYER SUR COOK*	OU	APPUYER SUR LA TOUCHE NUMÉRIQUE	QUANTITÉS QUE VOUS POUVEZ CHOISIR
Riz (capteur)	une fois		1	0,5 à 2 tasses** (125 mL à 500 mL)
Légumes en conserves	2 fois		2	1 à 4 tasses (250 mL à 1 L)
Bacon	3 fois		3	1 à 6 morceaux, épaisseur moyenne
Céréales (instantanées)	4 fois		4	1 à 4 portions
Pain doré (congelé)	5 fois		5	1 à 4 morceaux

*Vous devez appuyer sur COOK une fois avant de choisir le type d'aliment.

** Comme cet aliment est cuit par détection, vous n'avez pas à entrer une quantité. La quantité indiquée ici est celle que vous pouvez cuire. Après avoir choisi le type d'aliment et appuyé sur START/ENTER, « SENSE » apparaîtra sur l'affichage. De même, le capteur a besoin de 2 minutes 30 secondes pour chauffer après que le four a été branché à une alimentation électrique ou après une panne de courant. Si vous commencez la cuisson par détection durant une période de chauffage, « SENSE » apparaît sur l'affichage jusqu'à ce la période de chauffer soit terminée. L'énergie des micro-ondes ne sera pas activée avant que le capteur soit tiède.

UTILISATION DE REHEAT (RÉCHAUFFAGE)

On peut faire réchauffer des aliments qui vont au micro-ondes simplement en choisissant une catégorie et une quantité. La fonction REHEAT a des temps et des puissances de chauffage préréglés pour 4 catégories (voir tableau suivant).

Pour utiliser REHEAT, suivre les étapes ci-dessous :

1. Appuyer sur



une fois

On observe



2. Appuyer sur REHEAT 1 à 4 fois pour choisir le type d'aliment.



Exemple pour mets en sauce

3 fois

OU

Appuyer sur une touche numérique pour choisir le type d'aliment.



Exemple pour mets en sauce

On observe



Exemple pour mets en sauce

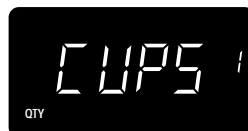


3. Appuyer sur une touche numérique pour entrer la quantité.



Exemple pour 1 tasse (250 mL)

On observe



Exemple pour 1 tasse (250 mL)

UTILISATION DE REHEAT (RÉCHAUFFAGE) (SUITE)

4. Appuyer sur



On observe



(le compte à rebours peut varier)

REMARQUES :

- Si vous n'entrez pas une quantité en moins de 2 secondes, REHEAT vous incitera à choisir une quantité. Vous avez alors 1 minute pour entrer une quantité et pour appuyer sur START/ENTER (mise en marche/entrée). À défaut de le faire, le réglage REHEAT sera annulé.

- Si vous appuyez sur REHEAT 5 fois, l'affichage retourne au réglage Pizza Slice.
- Si vous avez besoin de plus ou de moins de temps, ne pas appuyer de nouveau sur la touche REHEAT. Appuyer sur la touche COOK POWER avant d'appuyer sur la touche START/ENTER. (Voir "Changement des temps de cuisson pré-réglés" dans la section "Familiarisation avec le four à micro-ondes".)
- Lors du réchauffage d'un gros muffin ou bagel (4 oz [113 g]), utiliser le réglage pour 2 morceaux. Le réglage pour 1 morceau réchauffe 1 muffin ou bagel de format régulier, ou 2 petits pains.

Ce tableau vous montre comment choisir un type d'aliment et en quelle quantité pour chaque type.

ALIMENT	APPUYER SUR REHEAT*	OU APPUYER SUR LA TOUCHE NUMÉRIQUE	QUANTITÉS QUE VOUS POUVEZ CHOISIR
Morceau de pizza (capteur)**	une fois	1	1 à 3 morceaux, 5 oz (142 g) chacun
Sauce (capteur)	2 fois	2	1 à 4 tasses (250 mL à 1 L)
Mets en sauce	3 fois	3	1 à 4 tasses (250 mL à 1 L)
Produits de boulangerie	4 fois	4	1 à 4 morceaux, 2 oz (57 g) chacun

* Vous devez appuyer sur REHEAT une fois avant de choisir le type d'aliment.

** Après avoir choisi le type d'aliment et la quantité, appuyez sur START/ENTER, « SENSE » apparaîtra sur l'affichage. De même, le capteur a besoin de 2 minutes, 30 secondes pour réchauffer après que le four a été branché à une alimentation électrique ou après une panne de courant. Si vous commencez la cuisson par détection durant une période de réchauffage, « SENSE » apparaît sur l'affichage jusqu'à ce la période de chauffage soit terminée. L'énergie des micro-ondes ne sera pas activée avant que le capteur soit tiède.

UTILISATION DE WARM HOLD (GARD AU CHAUD)

⚠️ AVERTISSEMENT

Risque d'empoisonnement alimentaire

Ne pas laisser des aliments dans un four plus d'une heure avant ou après la cuisson.

Le non-respect de cette instruction peut causer un empoisonnement alimentaire ou une maladie.

La touche WARM HOLD garde au chaud les aliments cuits dans votre four à micro-ondes. Vous pouvez utiliser la touche WARM HOLD par elle-même ou pour suivre automatiquement un programme de cuisson.

REMARQUES :

- Les aliments cuits avec couvercle devraient être couverts durant la période de garde au chaud.
- Les produits de pâtisserie (tartes, chaussons, etc.) ne devraient pas être couverts durant la période de garde au chaud.
- Les repas complets gardés chauds sur une assiette devraient être recouverts durant la période de garde au chaud.
- Ne pas utiliser plus d'un programme complet de garde au chaud. La qualité de certains aliments pourra être affectée par la prolongation.

1. Placer l'aliment cuit et chaud dans le four et fermer la porte.

2. Appuyer sur WARM HOLD.

APPUYER SUR



ON OBSERVE



3. Mettre le four en marche.

APPUYER SUR



ON OBSERVE



Pour garder les aliments au chaud automatiquement à la suite d'un autre programme :

- Lorsqu'on entre des instructions de cuisson, appuyer sur la touche WARM HOLD avant d'appuyer sur la touche START/ENTER ou durant la cuisson.
- Lorsque le dernier programme de cuisson est terminé, vous entendrez deux signaux sonores. "WARM" apparaîtra pendant que le four continue de fonctionner.

UTILISATION DE STEAM COOK (CUISSON À LA VAPEUR)

Votre four à micro-ondes comporte une fonction automatique de cuisson par ébullition et à la vapeur. Les aliments qui conviennent pour la cuisson à la vapeur sont les pommes de terre ou le riz. Le four fonctionne en 2 étapes.

- La première étape porte rapidement l'eau au point d'ébullition.
- La deuxième étape s'ajuste automatiquement à une température de vapeur pour cuire délicatement à la vapeur les aliments.

Utiliser le plat ovale de cuisson à la vapeur TupperWave® de Tupperware lors de l'utilisation de cette fonction.

Avantage de la fonction de cuisson à la vapeur :

- Économie d'énergie.
- Économie de temps de cuisson.
- Cuisson légère, sans matière grasse.

Certains avantages d'utiliser les micro-ondes :

- Préservation des vitamines et des minéraux.
- Préservation de l'apparence originale de l'aliment.
- Préservation de la couleur de l'aliment.

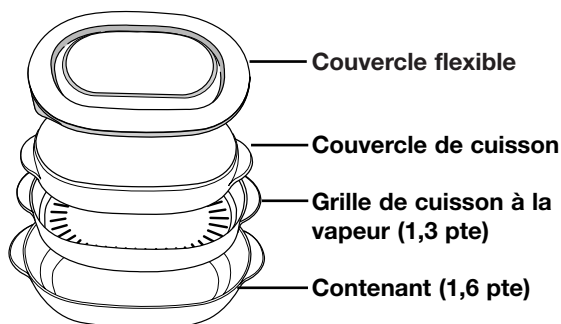
UTILISATION DE STEAM COOK (CUISSON À LA VAPEUR) (SUITE)

Le plat ovale de cuisson à la vapeur TupperWave® de Tupperware

Le plat ovale de cuisson à la vapeur TupperWave® de Tupperware comporte quatre sections :

- Un contenant ovale de 1,6 pinte (1,5 L) de forme sans coins pour donner une distribution optimale des micro-ondes
- Une grille de cuisson à la vapeur de 1,3 pinte (1,2 L) qui est placée directement sur le contenant ovale. Les orifices sont à la base de la grille de cuisson à la vapeur. La grille de cuisson à la vapeur accentue la circulation de la vapeur durant la cuisson.
- Un couvercle de cuisson, qui est placé directement sur le contenant et sur la grille de cuisson à la vapeur.
- Un couvercle flexible qui s'emploie seulement pour le remisage dans un réfrigérateur ou congélateur.

Plat ovale de cuisson à la vapeur



La grille de cuisson à la vapeur

Utiliser le plat ovale de cuisson à la vapeur avec la grille de cuisson à la vapeur en place pour les aliments tels que poisson, légumes et pommes de terre. Utiliser le plat ovale de cuisson à la vapeur sans la grille de cuisson à la vapeur en place pour les aliments tels que le riz, les pâtes alimentaires et les haricots blancs. Utiliser des mitaines de four lorsque vous retirez le plat ovale de cuisson à la vapeur quand il est chaud.

Propriétés du matériau

Le matériau lisse et luisant :

- Peut résister à des températures de -11°F (-24°C) à 392°F (200°C) de sorte que les plats peuvent être placés aux micro-ondes directement après avoir été dans le congélateur.
- Est totalement transparent aux micro-ondes.
- Pratiquement incassable dans des conditions normales d'utilisation non commerciale.
- Le couvercle flexible peut être utilisé dans le réfrigérateur ou le congélateur, et non dans le four à micro-ondes.
- Protéger le contenant en essuyant les éclaboussures avant l'utilisation et éviter de faire cuire de petites quantités d'aliment à haute teneur en matières grasses et en sucre.

Utilisation du plat ovale de cuisson à la vapeur TupperWave® de Tupperware

- Ajouter au moins 1,5 oz (50 mL) de liquide au contenant lors de l'utilisation de la fonction de cuisson à la vapeur.
- Si on utilise le contenant sans la grille de cuisson à la vapeur (par exemple pour la cuisson du riz), on peut avoir besoin de plus d'eau.
- Toujours laisser un temps de repos afin de donner une distribution uniforme de la température dans l'aliment et pour compléter le procédé de cuisson.
- Ne pas utiliser le plat ovale de cuisson à la vapeur dans un four conventionnel ou de type combiné, avec les fonctions "Crisp" ou "Grill" ou sur des éléments électriques ou des brûleurs à gaz.
- Ne jamais utiliser le plat ovale de cuisson à la vapeur dans un four à micro-ondes sans le couvercle de cuisson.
- Pour éviter d'égratigner le produit, utiliser des ustensiles en plastique pour préparer et servir les aliments.
- S'assurer que les plats sont refroidis à la température ambiante avant d'utiliser le couvercle flexible.
- Ne jamais placer le couvercle flexible dans le four à micro-ondes.
- Ne pas utiliser d'emballage en plastique ou en aluminium dans le four à micro-ondes.
- Pour assurer un chauffage uniforme des aliments, ne pas remplir à l'excès le plat ovale de cuisson à la vapeur ou la grille de cuisson à la vapeur. Le remplissage à la moitié environ est un critère raisonnable.

Pour la cuisson à la vapeur :

1. Verser de l'eau dans le contenant inférieur du plat ovale de cuisson à la vapeur. Si on utilise la grille de cuisson à la vapeur, placer l'aliment dessus et le mettre sur le fond du contenant. Ensuite placer le couvercle de cuisson. (Si on n'utilise pas la grille de cuisson à la vapeur, plus d'eau peut être requise.)
2. Placer le plat ovale de cuisson à la vapeur au centre du plateau rotatif. Fermer la porte du four.
3. Appuyer sur la touche **STEAM COOK**.
4. Appuyer sur les touches numériques pour entrer le temps de cuisson à la vapeur.
5. Appuyer sur la touche **START/ENTER**.

Pour vérifier l'aliment au cours de la cuisson à la vapeur, ouvrir la porte seulement lorsque le four compte à rebours le temps de cuisson à la vapeur.

Nettoyage du plat ovale de cuisson à la vapeur TupperWave®, de Tupperware

Le plat ovale de cuisson à la vapeur peut être lavé au lave-vaisselle. Le couvercle flexible devrait être placé dans le panier supérieur du lave-vaisselle. Après la cuisson, tremper les éléments de la grille de cuisson à la vapeur dans l'eau savonneuse pour enlever tous les aliments collés. Au besoin, utiliser une brosse douce pour enlever les particules d'aliments des orifices de la grille de cuisson. Pour les taches tenaces, remplir le contenant d'eau chaude et de poudre pour lave-vaisselle ou d'eau froide et d'eau de Javel et laisser tremper, ensuite rincer à fond.

UTILISATION DE LA CARACTÉRISTIQUE DE DÉCONGÉLATION JET DEFROST™

Vous pouvez décongeler des aliments en choisissant une catégorie et un réglage de poids. La caractéristique peut être utilisée seulement pour la décongélation très rapide d'aliments congelés dans les catégories de viande, volaille ou poisson. Utiliser la décongélation manuelle pour d'autres aliments ou pour des poids qui ne sont pas indiqués. La caractéristique JET DEFROST a des temps et des puissances de chauffage pré-réglés pour 3 catégories (voir tableau suivant).

Pour utiliser la caractéristique JET DEFROST, suivre les étapes suivantes :

1. Appuyer sur



une fois

On observe



2. Continuer à appuyer sur la touche de la caractéristique JET DEFROST pour choisir la catégorie d'aliments,



Exemple pour les viandes

une fois

On observe



Exemple pour les viandes



3. Appuyer sur la(les) touche(s) numérique(s) pour entrer le poids. Entrer le poids correct.



Exemple pour 1,1 lb

On observe



Exemple pour 1,1 lb

4. Appuyer sur



On observe



(le compte à rebours peut varier)

5. Vers la moitié du programme, le four donnera un signal.

L'indicateur affichera "TURN". Tourner l'aliment et ensuite appuyer sur la touche START/ENTER. Si vous n'ouvrez pas la porte et si vous ne tournez pas l'aliment, alors le four continuera de faire un bip et continuera la décongélation mais cette décongélation prendra plus de temps.

NOTES:

- Si vous n'entrez pas un poids en moins de 2 secondes, la caractéristique JET DEFROST vous incitera à entrer un poids. Vous avez alors 1 minute pour entrer un poids et pour appuyer sur la touche START/ENTER. À défaut de le faire, la caractéristique JET DEFROST sera annulée.
- Si vous entrez un poids plus élevé que le plus haut poids permis pour le réglage de votre aliment, 3 signaux sonores seront entendus et le mot "RETRY" (Essayer de nouveau) apparaîtra sur l'affichage lorsque vous appuyez sur la touche START/ENTER. Ensuite le poids minimal/maximal accordé sera affiché.
- Si vous appuyez sur la touche de la caractéristique JET DEFROST 4 fois, l'affichage retourne au réglage Meats (Viandes).
- Si vous avez besoin de plus ou de moins de temps pour la décongélation, ne pas appuyer de nouveau sur la touche de la caractéristique JET DEFROST. Appuyer sur la touche COOK POWER avant d'appuyer sur la touche START/ENTER. (Voir "Changement des temps de cuisson pré-réglés" à la section "Familiarisation avec le four à micro-ondes".)
- Voir le tableau de la caractéristique JET DEFROST plus loin dans cette section pour les directives de décongélation pour chaque aliment.
- Pour décongeler les articles qui ne sont pas indiqués dans le tableau de la caractéristique JET DEFROST, utiliser 30 % de la puissance de chauffage. Se référer à un livre de recettes fiable pour des renseignements au sujet de la décongélation.

UTILISATION DE LA CARACTÉRISTIQUE JET DEFROST™ (SUITE)

Pour une décongélation complète et uniforme

- La forme de l'emballage affecte la rapidité de décongélation d'un aliment. Les emballages minces se décongèleront plus rapidement que les emballages épais
- Alors que les aliments commencent à décongeler, séparer en morceaux. La séparation des morceaux rend la décongélation plus égale.

- Utiliser de petits morceaux de papier d'aluminium pour protéger les morceaux d'aliments tels que les ailes de poulet, extrémités patte, queues de poisson ou endroits qui peuvent commencer à devenir chauds. S'assurer que le papier d'aluminium ne touche pas les parois, le fond ou le plafond du four à micro-ondes.

Ce tableau vous montre comment choisir un type d'aliment et en quelle quantité pour chaque type.

ALIMENT	APPUYER SUR JET FROST*	OU APPUYER SUR LA TOUCHE NUMÉRIQUE	POIDS QUE VOUS POUVEZ RÉGLER (en dixièmes de livre)
Viandes	une fois	1	0,2 à 6,6 (91 g à 2994 g)
Volaille	deux fois	2	0,2 à 6,6 (91 g à 2994 g)
Poisson	trois fois	3	0,2 à 4,4 (91 g à 1998 g)

*Vous devez appuyer sur la touche de caractéristique JET DEFROST une fois avant de choisir le type d'aliment.

TABLEAU DE LA CARACTÉRISTIQUE JET DEFROST™

Réglage pour les viandes

ALIMENT	INSTRUCTIONS SPÉCIALES
Bœuf	La viande de forme irrégulière et les gros morceaux de viande avec gras devraient avoir les sections étroites ou celles constituées de gras recouvertes de papier d'aluminium au début d'un programme de décongélation.
Bœuf haché, en vrac	Ne pas décongeler moins de ¼ lb (113 g).
Bœuf haché, en galettes	Ne pas décongeler moins de deux galettes de 4 oz (113 g).
Bifteck de ronde, bifteck de filet, morceau à braiser, palette à braiser, côte de bœuf, rôti de croupe roulé	Placer sur une grille de rôtissage qui va au four à micro-ondes.
Bœuf à ragoût	Placer dans un plat de cuisson qui va au four à micro-ondes.
Agneau	
Cubes pour ragoût	Placer dans un plat de cuisson qui va au four à micro-ondes.
Côtelettes (1 po [2,5 cm] d'épaisseur)	Placer sur une grille de rôtissage qui va au four à micro-ondes.
Porc	
Côtelettes (1/2 po [13 mm] d'épaisseur), Hot dogs, entrecôtes, côtes de style campagne, rôti de porc (désossé), saucisses, en chapelet	Placer sur une grille de rôtissage qui va au four à micro-ondes.
Saucisses, en vrac	Placer dans un plat de cuisson qui va au four à micro-ondes.

TABLEAU DE LA CARACTÉRISTIQUE JET DEFROST™ (SUITE)

Réglage pour volaille

ALIMENT	INSTRUCTIONS SPÉCIALES
Poulet Entier (jusqu'à 9 1/2 lb [4,3 kg]) En morceaux	Placer le poulet avec la poitrine vers le haut sur une grille à rôtissage qui va au four à micro-ondes. Terminer la décongélation par immersion dans l'eau froide. Enlever les abats lorsque le poulet est partiellement décongelé. Placer sur une grille à rôtissage qui va au four à micro-ondes. Terminer la décongélation par immersion dans l'eau froide.
Poulet de Cornouailles Entier	Placer sur une grille à rôtissage qui va au four à micro-ondes. Terminer la décongélation par immersion dans l'eau froide.
Dinde Poitrine (moins de 6 lb [2,7 kg])	Placer sur une grille à rôtissage qui va au four à micro-ondes. Terminer la décongélation par immersion dans l'eau froide.

Réglage pour poisson

ALIMENT	INSTRUCTIONS SPÉCIALES
Poisson Filets Darnes Entier	Placer dans un plat de cuisson qui va au four à micro-ondes. Séparer soigneusement les filets sous l'eau froide. Placer dans un plat de cuisson qui va au four à micro-ondes. Faire couler l'eau froide sur le poisson pour terminer la décongélation. Placer dans un plat de cuisson qui va au four à micro-ondes. Couvrir la tête et la queue de papier d'aluminium; ne pas laisser le papier d'aluminium toucher les parois du four à micro-ondes. Terminer la décongélation par immersion dans l'eau froide.
Crustacés Crabe, queues de homard, crevettes, pétoncles	Placer dans un plat à cuisson qui va au four à micro-ondes.

CONSEILS DE DÉCONGÉLATION

- Lorsqu'on utilise la caractéristique JET DEFROST™, on doit entrer le poids net (le poids de l'aliment moins le contenant). Entrer le poids à de 1/10 lb (45 g) près.
- Utiliser seulement la caractéristique JET DEFROST pour les aliments crus. La caractéristique JET DEFROST™ donne le meilleur résultat lorsque l'aliment à décongeler est complètement congelé. Si l'aliment est partiellement dégelé, toujours régler un poids d'aliment moindre (pour un temps de décongélation plus court) afin d'empêcher l'aliment de cuire.
- Pour obtenir de meilleurs résultats, un temps de repos pré-régulé est compris dans le temps de décongélation. Ces délais peuvent laisser penser que le temps de décongélation est plus long que prévu. (Pour plus de renseignements sur le temps de repos, voir "Conseils de cuisson aux micro-ondes" dans la section "Guide de cuisson".)

Tableau de conversion des poids

Vous avez probablement l'habitude de lire les poids exprimés en livres et en onces qui sont des fractions de la livre (ex. 4 onces = 113,4 g [$\frac{1}{4}$ lb]). Toutefois, pour entrer le poids de l'aliment dans la caractéristique JET DEFROST, il faut préciser les livres et dixièmes de livre.

Si le poids est indiqué en fractions de livre sur l'emballage de l'aliment, on peut utiliser le tableau suivant pour convertir le poids en fractions décimales.

Poids équivalent			
ONCES	GRAMMES	POIDS DÉCIMAL	
1,6	45,4	0,10	
3,2	90,7	0,20	
4,0	113,4	0,25	Un quart de livre
4,8	136,1	0,30	
6,4	181,4	0,40	
8,0	226,8	0,50	Une demi-livre
9,6	272,2	0,60	
11,2	317,5	0,70	
12,0	340,2	0,75	Trois quarts de livre
12,8	362,9	0,80	
14,4	408,2	0,90	
16,0	453,6	1,00	Une livre

UTILISATION DE SIMMER COOK (CUISSON PAR MIJOTAGE)

Votre four à micro-ondes vous permet de mijoter des soupes, mets en sauce, ragoûts et autres aliments liquides. Il vous suffit de régler le temps de mijotage et votre four portera votre aliment au point d'ébullition et ensuite le laissera mijoter pendant le temps que vous spécifiez.

REMARQUES :

- Vous ne pouvez pas changer la puissance de chauffage ou le résultat de cuisson pour le réglage SIMMER COOK.
- Cette fonction utilise le capteur. Le capteur a besoin de 2 minutes 30 secondes pour réchauffer lorsque le four vient d'être branché à l'alimentation électrique ou après une panne de courant. Si vous commencez la cuisson SIMMER COOK pendant une période de réchauffage, l'énergie des micro-ondes ne sera pas activée avant que le capteur soit tiède.
- Lors de la cuisson de légumes, augmenter la quantité d'eau à $\frac{1}{4}$ à $\frac{1}{2}$ tasse (60 à 125 mL).
- Recouvrir le plat avec un couvercle solide, soit le couvercle fourni avec le plat ou une assiette. Ne pas utiliser une pellicule en plastique.

1. Placer l'aliment au four et fermer la porte.

2. Appuyer sur SIMMER COOK.

APPUYER SUR



ON OBSERVE

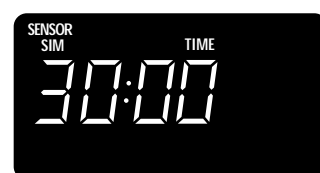


3. Appuyer sur la touche numérique pour entrer le temps de mijotage.

APPUYER SUR



ON OBSERVE



Exemple pour 30 minutes :

4. Appuyer sur START/ENTER.

APPUYER SUR



ON OBSERVE



Le four portera l'aliment au point d'ébullition. L'aliment sera ensuite soumis au mijotage pendant le temps que vous avez réglé.

Lors du mijotage d'aliments comme des pâtes alimentaires

Utiliser un contenant qui peut contenir assez d'eau pour couvrir complètement l'aliment lors de la cuisson, tel qu'un chaudron de 3 ptes (12 tasses [2,84 L]), avec un couvercle. Lors de la préparation de pâtes alimentaires ou de nouilles, ajouter 1 c. à soupe (15 mL) d'huile à l'eau avant de faire bouillir. Utiliser la méthode suivante : placer le contenant avec de l'eau dans le four et suivre les étapes 2-4, en réglant le temps de mijotage à 1 seconde. À la fin du signal, placer l'aliment dans l'eau et brasser jusqu'à ce que le tout soit complètement couvert d'eau. Placer le couvercle. Répéter les étapes 2-4, en réglant le temps de mijotage que vous désirez.

Instructions de changement

Vous pouvez changer la durée de mijotage pendant le mijotage en répétant les étapes 2, 3 et 4.

CUISSON PAR DÉTECTION AU MOYEN D'UNE TOUCHE

Votre four à micro-ondes comporte un capteur qui détecte l'humidité dégagée par l'aliment. La quantité d'humidité indique au four le temps de chauffage pour la cuisson ou le réchauffage de votre aliment. Vous pouvez utiliser la cuisson par détection au moyen de ONE TOUCH (une touche) lors de la préparation de 8 genres d'aliments. Il suffit d'appuyer sur la touche pour l'aliment que vous désirez faire cuire ou chauffer. Les instructions simples pour ces fonctions sont données aux pages suivantes.

REMARQUES :

- Si vous désirez faire la cuisson en entrant un temps et une puissance de chauffage, voir "Guide de cuisson aux micro-ondes" dans la section "Guide de cuisson".
- Le four doit être branché à une prise de courant au moins 2 1/2 minutes avant la cuisson par détection.
- La température de la pièce ne doit pas dépasser 95°F (35°C).
- S'assurer que l'extérieur du contenant de cuisson et l'intérieur du four sont secs. Essuyer chacun avec un essuie-tout en papier.
- Lorsqu'on couvre les aliments, s'assurer de laisser une ouverture assez grande pour que l'humidité s'échappe de sorte que le détecteur puisse déterminer la cuisson ou le temps de réchauffage.

UTILISATION DE LA CUISSON PAR SENSOR ONE TOUCH

Pour utiliser la cuisson par Sensor ONE TOUCH :

- 1. Placer l'aliment dans le four et fermer la porte.**
- 2. Appuyer sur la touche Sensor ONE TOUCH :**
La cuisson avec Sensor ONE TOUCH commencera automatiquement après un bref délai.
(Voir tableau de cuisson Sensor One Touch.)
- 3. La barre de progrès au bas de l'affichage indique le temps approximatif qui reste.**

TABLEAU DE CUISSON PAR DÉTECTION AU MOYEN D'UNE TOUCHE

ALIMENT	QUANTITÉ À SERVIR	MODE D'EMPLOI
Maïs soufflé	3,5 oz (100 g), 3 oz (85 g), 1,75 oz (50 g)	<ul style="list-style-type: none"> Faire éclater 1 sac à la fois. Si vous utilisez une machine à faire éclater le maïs aux micro-ondes, suivre les instructions du fabricant.
Pommes de terre au four	1 à 4 moyennes, environ 10 à 13 oz (284 à 369 g) chacune	<ul style="list-style-type: none"> Percer plusieurs fois chaque pomme de terre avec une fourchette et les disposer sur le pourtour du plateau dans le four, à au moins 1 po (2,5 cm) les unes des autres. Laisser la pomme de terre reposer pendant 5 minutes pour terminer la cuisson.
Légumes surgelés	1 à 4 tasses (250 mL à 1 L)	<ul style="list-style-type: none"> Les sortir de l'emballage. Placer les légumes dans un contenant pour micro-ondes. Recouvrir d'une pellicule de plastique et laisser une ouverture d'échappement de l'air. La plupart des légumes ont besoin d'être remués et de reposer pendant 2 à 3 minutes après la cuisson.
Légumes frais	1 à 4 tasses (250 mL à 1 L)	<ul style="list-style-type: none"> Placer les légumes humides dans un contenant pour micro-ondes. Recouvrir d'une pellicule de plastique et laisser une ouverture d'échappement de l'air. La plupart des légumes ont besoin d'être remués et de reposer pendant 2 à 3 minutes après la cuisson.
Mets surgelés	Meilleurs résultats si le mets est de 10 à 20 oz (284 à 567 g)	<ul style="list-style-type: none"> Sortir de l'emballage externe. Dégager la pellicule sur 3 côtés. Si le mets ne se trouve pas dans un contenant pour micro-ondes, le placer sur une assiette, le couvrir d'une pellicule de plastique et laisser une ouverture d'échappement de l'air. La plupart des mets demandent 2 à 3 minutes de repos après la cuisson.
Boisson	1 ou 2 tasses de 8 oz (250 mL)	<ul style="list-style-type: none"> Ne pas couvrir. La forme du gobelet affectera le réchauffage du contenu -- si étroit et haut, le contenu sera peut-être plus chaud; si le contenant est plus évasé à la partie supérieure (p. ex. tasse à mesurer de 1 tasse [250 mL], le contenu pourra être moins chaud).
Assiettée	1 portion (ou 1 assiette) (8 à 16 oz [0,2 à 4,5 kg])	<ul style="list-style-type: none"> Placer le mets à réchauffer sur une assiette ou un équivalent. Recouvrir d'une pellicule de plastique et laisser une ouverture d'échappement de l'air.
Soupe	1 à 4 tasses (250 mL à 1 L)	<ul style="list-style-type: none"> Placer la soupe à réchauffer dans un contenant de taille adéquate et allant au four à micro-ondes. Recouvrir d'une pellicule de plastique et laisser une ouverture d'échappement de l'air.

GUIDE DE CUISSON

CONSEILS POUR LA CUISSON AUX MICRO-ONDES

Quantité d'aliments

- **Si on augmente ou diminue** la quantité d'aliments qu'on prépare, le temps qu'il faut pour la cuisson peut aussi varier. Par exemple, si on double une recette, on ajoute un peu plus de la moitié du temps de cuisson original requis. Vérifier pour le résultat et, si nécessaire, ajouter plus de temps en courts intervalles.

Température initiale des aliments

- **Plus la température initiale des aliments est basse**, plus le temps de cuisson est long. Un mets à la température ambiante se réchauffera plus rapidement qu'un mets qui sort du réfrigérateur.

Composition des aliments

- **Un aliment contenant beaucoup de graisse ou de sucre** s'échauffe plus rapidement qu'un mets contenant beaucoup d'eau. La graisse et le sucre atteignent également une température plus élevée que l'eau au cours de la cuisson.
- **Plus l'aliment est dense**, plus le temps de cuisson est long. Un produit alimentaire "très dense", comme la viande, nécessite une période de cuisson plus longue qu'un produit moins dense ou plus poreux comme un gâteau éponge.

Taille et forme

- **Des morceaux d'aliments plus petits** cuisent plus rapidement que des gros morceaux, et des portions alimentaires de forme identique cuisent plus uniformément que des aliments de forme irrégulière.
- **Dans le cas d'aliments de forme irrégulière**, les parties les plus minces cuisent plus rapidement que les parties épaisses. **Placer** les parties les plus minces des ailes et pilons de poulet au centre du plat.

Aliments qu'il faut remuer ou retourner

- **Lorsqu'on remue ou retourne** les aliments, la chaleur est distribuée plus rapidement jusqu'au centre du plat, ce qui évite une cuisson excessive à la périphérie de l'aliment.

Couverture des aliments

Recouvrir les aliments pour :

- **Réduire** les éclaboussures
- **Réduire** le temps de cuisson
- **Retenir** l'humidité des aliments

Tout matériau de protection transparent aux micro-

ondes est convenable. Voir "Familiarisation avec le four à micro-ondes" pour les matériaux qui laissent passer les micro-ondes. Si vous utilisez la fonction Sensor, s'assurer que l'événement fonctionne.

Libération de la pression dans les aliments

- **Plusieurs types d'aliments** sont naturellement protégés par une peau ou membrane (par exemple, pommes de terre, saucisses, jaunes d'oeuf, et certains fruits). L'accumulation de vapeur sous la membrane au cours de la cuisson peut provoquer l'éclatement de ces aliments. Pour éviter l'accumulation de la pression et empêcher l'éclatement, **perforer** la surface de ces aliments avec une fourchette, un cure-dent ou une brochette.

Temps de repos

- **Toujours prévoir un certain temps de repos** après la cuisson. Le temps de repos qui suit une opération de décongélation et de cuisson améliore toujours les résultats, car la distribution de température est ainsi plus uniforme.
- **Le temps de repos nécessaire** dépend du volume et de la densité des aliments. Il n'est parfois pas plus long que le temps qu'il faut pour retirer le plat du four et l'apporter jusqu'à la table. Cependant, dans le cas de plats plus volumineux et d'aliments plus denses, le temps de repos nécessaire peut atteindre 10 minutes.

Répartition des aliments

Pour l'obtention des meilleurs résultats, répartir les aliments uniformément dans l'assiette. On peut réaliser ceci de plusieurs manières :

- **Dans le cas de la cuisson de plusieurs morceaux du même aliment**, comme des pommes de terre, les placer en cercle pour obtenir une cuisson uniforme.
- **Dans le cas de la cuisson d'aliments de formes ou d'épaisseurs différentes, comme les poitrines de poulet**, **placer** les parties les plus minces ou les plus petites des aliments vers le centre du plat, où la cuisson se fera en dernier.
- **Placer les tranches de viande minces** les unes par-dessus les autres.
- **Lors de la cuisson ou du réchauffage d'un poisson entier**, **razer** la peau – ceci l'empêchera de se craqueler.
- **Ne pas** laisser les aliments ou le récipient toucher la partie supérieure ou les parois du four. Ceci empêchera la formation d'arcs.

CONSEILS POUR LA CUISSON AUX MICRO-ONDES (SUITE)

Utilisation du papier d'aluminium

On ne doit pas utiliser de récipient métallique dans un four à micro-ondes. Il y a cependant certaines exceptions. Lorsqu'on achète un aliment ou mets préconditionné dans un récipient en aluminium, voir les instructions qui figurent sur l'emballage. Lors de l'emploi de contenants en papier d'aluminium, les temps de cuisson peuvent être plus longs parce que les micro-ondes ne pénètrent que le dessus de l'aliment.

Dans le cas de récipients en aluminium qui ne sont pas accompagnés d'instructions, observer les directives suivantes :

- **Placer** le récipient dans un bol en verre et ajouter pas plus de .64 cm (¼ po) d'eau pour recouvrir le fond du récipient. Ceci permettra le chauffage uniforme du fond du récipient.
- **Toujours retirer** le couvercle pour éviter que le four subisse des dommages.
- **Utiliser uniquement** des récipients non endommagés.
- **Ne pas utiliser des récipients** de hauteur supérieure à 1,9 cm (¾ po).
- **Le récipient doit être au moins à moitié** rempli.
- **Pour éviter les étincelles**, il faut qu'il y ait un espace d'au moins .64 cm (¼ po) entre le récipient en aluminium et les parois du four, et également entre deux récipients en aluminium.
- **Toujours placer** le contenant sur le plateau rotatif.
- **Le réchauffage d'aliments** dans des récipients en aluminium est généralement deux fois plus long que le réchauffage dans un récipient en plastique, verre, porcelaine ou papier. Le moment où les aliments sont prêts variera en fonction du type de contenant utilisé.
- **Prévoir un temps de repos** de 2 à 3 minutes après la cuisson afin que la chaleur se répartisse uniformément dans tout le récipient.

Cuisson à ne pas faire dans un four à micro-ondes

- **Ne pas** préparer de conserves dans le four. Les pots en verre fermés peuvent exploser et faire subir des dommages au four.
- **Ne pas** utiliser le four pour la stérilisation d'objets comme biberons, etc. Il est difficile de maintenir la température élevée nécessaire pour stérilisation.

ENTRETIEN DU FOUR À MICRO-ONDES

Pour que le four à micro-ondes ait toujours une belle apparence et fonctionne bien pendant longtemps, il convient d'en assurer convenablement l'entretien. À cette fin, bien observer les instructions suivantes.

Pour les surfaces intérieures : Laver souvent avec une eau savonneuse tiède et une éponge ou un linge doux. **Utiliser** seulement des savons doux non abrasifs ou un détergent doux. **Veiller à maintenir propres les surfaces de contact de la porte avec le châssis du four (fermeture de la porte).** Bien rincer avec de l'eau propre. Avec le temps, certaines taches peuvent apparaître sur les surfaces, du fait de la projection de particules alimentaires pendant la cuisson. Ceci est normal.

Pour éliminer les saletés tenaces, faire **bouillir** 250 mL (1 tasse) d'eau dans le four pendant 2 à 3 minutes. La vapeur générée ramollira les saletés. Pour éliminer les odeurs à l'intérieur de la cavité du four, faire **bouillir** 250 mL (1 tasse) d'eau additionnée de jus de citron ou de vinaigre.

Pour les surfaces extérieures et le tableau de commande : Utiliser un linge doux avec un nettoyant en atomiseur pour le verre. Appliquer le nettoyant pour le verre sur un linge doux et ne pas vaporiser directement sur le four.

REMARQUE : Les produits de nettoyage abrasifs, tampons de laine d'acier, tissus rudes, certains essuie-tout, etc., peuvent endommager le tableau de commande et les surfaces internes et externes du four.

Pour nettoyer le plateau tournant et son support, les laver dans de l'eau savonneuse tiède; pour les zones comportant des saletés tenaces, **utiliser** un produit de nettoyage doux et une éponge à récurer. Le plateau tournant en verre et son support sont lavables au lave-vaisselle.

SOIN DES FILTRES

Les filtres (aluminium) pour attraper la graisse doivent être enlevés et nettoyés souvent, au moins une fois par mois. Vous pouvez commander des filtres de rechange pour la graisse (PN 8169758) de votre marchand Whirlpool autorisé le plus proche.

Les filtres au charbon ne peuvent pas être lavés. Pour le meilleur rendement, nous recommandons de remplacer les filtres au charbon à tous les six à douze mois. Vous pouvez commander les filtres au charbon de remplacement (PN 4393791) de votre marchand Whirlpool autorisé le plus proche.

⚠️ AVERTISSEMENT



Risque de choc électrique

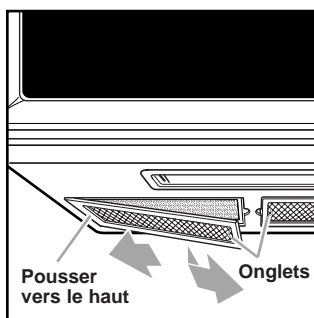
Déconnecter la source de courant électrique avant de retirer les filtres.

Replacer tous les panneaux avant de faire la remise en marche.

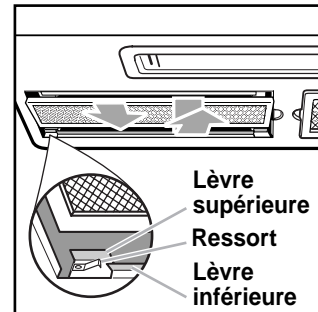
Le non-respect de ces instructions peut causer un décès ou un choc électrique.

Enlèvement, nettoyage et remplacement :

1. **Déconnecter** le four à micro-ondes ou interrompre l'alimentation électrique.
2. **Pour enlever le filtre à graisse**, glisser chaque filtre vers le côté. **Tirer** le filtre vers le bas et appuyer sur l'autre côté. Le filtre se dégagera.

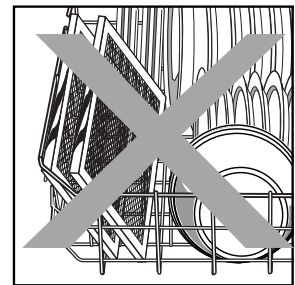
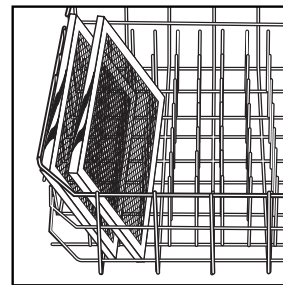


3. **Pour enlever les filtres au charbon**, pousser l'arrière de chaque filtre en l'éloignant de vous. Cette action fera glisser l'avant du filtre hors de la lèvre inférieure. Abaisser le devant du filtre vers le bas, et extraire le filtre en le faisant glisser.

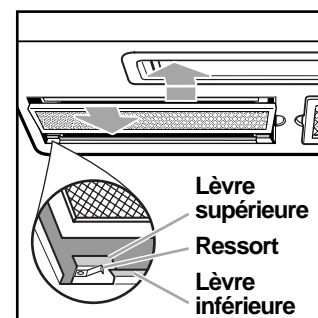


4. Ce modèle est fourni avec des filtres à graisse qui se lavent au lave-vaisselle. Placer le filtre à graisse dans un lave-vaisselle vide et laver.

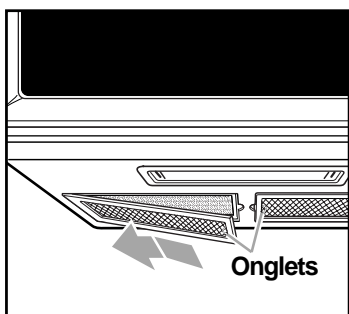
REMARQUE : Le lavage de ces filtres avec de la vaisselle sale peut salir le filtre avec des particules de la vaisselle, de sorte que nous recommandons de laver les filtres séparément dans un lave-vaisselle vide.



5. **Pour réinstaller les filtres au charbon**, pousser chaque filtre vers l'arrière de l'ouverture, entre les lèvres supérieure et inférieure, contre les ressorts. Abaisser le devant du filtre contre la lèvre supérieure. Faire glisser le filtre vers l'avant tout en le poussant contre la lèvres supérieure. Le filtre sera maintenant tenu en place entre les lèvres, par le ressort.



6. Pour remplacer les filtres à graisse, glisser le filtre dans la rainure du cadre sur un côté de l'ouverture. Pousser le filtre vers le haut et appuyer sur l'autre côté pour le fixer en place.



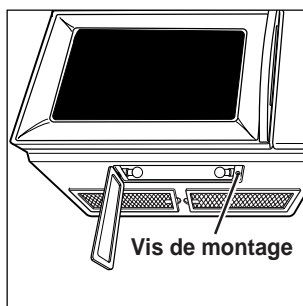
7. Glisser le bas de la grille du ventilateur en place. Appuyer sur le haut jusqu'à enclenchement. Replacer les vis de montage.
8. Brancher le four à micro-ondes ou reconnecter l'alimentation électrique.

REMARQUE : Ne pas utiliser la hotte sans le filtre à graisse en place.

REPLACEMENT DES AMPOULES DE LA TABLE DE CUISSON ET DU FOUR

Lampe d'illumination de la table de cuisson

- Déconnecter le four à micro-ondes ou interrompre l'alimentation électrique.
- Enlever les vis de montage du couvercle de l'ampoule.

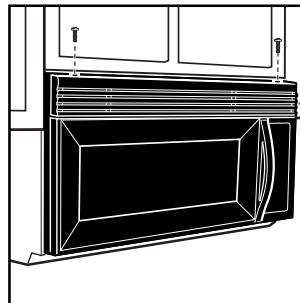


3. Nous recommandons de remplacer la(les) ampoule(s) avec des ampoules de 30 watts à douille de candélabre (PN 4393681) disponibles de votre compagnie d'entretien désignée ou en téléphonant au Centre d'interaction avec la clientèle en composant le **1-800-807-6777**. S'assurer d'avoir le numéro de votre modèle lors de la soumission d'une commande.
4. Brancher le four à micro-ondes ou reconnecter l'alimentation électrique.

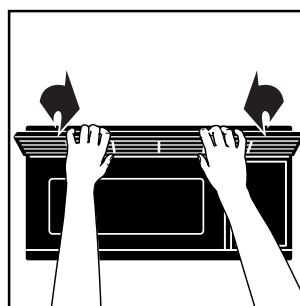
Lampe du four

1. Déconnecter le four à micro-ondes ou interrompre l'alimentation électrique.

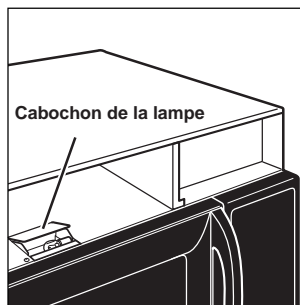
2. Ôter les deux vis de montage de la grille d'évent, au-dessus du couvercle (les deux vis externes).



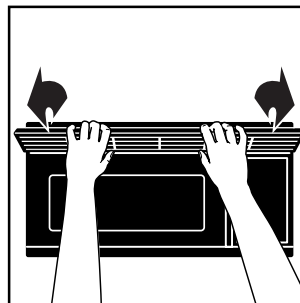
3. Faire basculer la grille vers l'avant, puis soulever pour enlever la grille.



4. Soulever le cabochon de l'ampoule.



5. Remplacer l'ampoule par une ampoule de 30 watts à base de candélabre (PN 4393681) disponible de votre marchand Whirlpool autorisé
6. Rabattre le cabochon.
7. Insérer le sommet de la grille d'évent dans son logement. Pousser par-dessous pour exécuter l'emboîtement. Réinstaller les vis de montage.



8. Brancher le four à micro-ondes ou reconnecter l'alimentation électrique.

QUESTIONS ET RÉPONSES

QUESTIONS	RÉPONSES
Puis-je faire fonctionner le four à micro-ondes sans le plateau tournant ou tourner le plateau tournant à l'envers pour tenir un plus grand plat?	Non. Si vous enlevez ou tournez le plateau tournant, vous obtiendrez des résultats médiocres de cuisson. Les plats à utiliser dans votre four doivent convenir sur la plateau tournant.
Puis-je utiliser une grille dans mon four à micro-ondes afin de réchauffer ou cuire deux plats simultanément (sur deux niveaux)?	On peut utiliser une grille seulement si la grille est fournie avec le four à micro-ondes. L'utilisation d'une grille qui n'est pas fournie avec le four à micro-ondes peut susciter une médiocre performance de cuisson et/ou la formation d'arcs.
Puis-je utiliser des ustensiles métalliques ou en aluminium pour la cuisson au four à micro-ondes?	On peut utiliser le papier d'aluminium pour la protection (utiliser de petits morceaux plats) des petites brochettes et des petites coupelles en aluminium (d'une profondeur de ¼ po [1,9 cm] et remplies à moitié d'aliments qui absorberont l'énergie des micro-ondes). Ne jamais laisser les articles métalliques toucher les parois ou la porte.
Est-il normal que le plateau rotatif tourne dans un sens ou l'autre?	Oui. Le plateau rotatif tourne dans le sens horaire ou antihoraire selon la rotation du moteur lorsque le programme de cuisson commence.
Parfois, la porte de mon four à micro-ondes semble être ondulée; est-ce normal?	Cette apparence est normale, et elle n'affecte pas le fonctionnement du four.
Quel est le son de bourdonnement que j'entends lorsque mon four à micro-ondes fonctionne?	Il s'agit du son émis par le transformateur lors du fonctionnement du magnétron.
Pourquoi le plat s'échauffe-t-il lorsque j'en cuis le contenu aux micro-ondes? Je croyais que ceci ne se produisait pas.	Alors que les aliments deviennent chauds, ils transmettent la chaleur au plat. Pour éviter les brûlures, utiliser des mitaines isolantes pour enlever les aliments après la cuisson.
Que signifie "temps de repos"?	Un "Temps de repos" signifie que l'aliment doit être retiré du four et recouvert pendant une certaine durée. Cela permet à la cuisson de se terminer, ce qui économise de l'énergie et permet d'utiliser le four pour d'autres opérations.
Pourquoi observe-t-on un rejet de vapeur par l'évent?	La vapeur est normalement générée au cours de la cuisson. Le four à micro-ondes est conçu pour évacuer cette vapeur par l'évent.
Puis-je faire éclater du maïs dans mon four à micro-ondes? Comment obtenir les meilleurs résultats?	Oui. Pour faire éclater du maïs aux micro-ondes, suivre les directives fournies par le fabricant ou utiliser la fonction SENSOR POPCORN. Ne pas utiliser les sachets ordinaires en papier. Pour déterminer à quel moment arrêter le four, utiliser le "test d'écoute" pour arrêter le four lorsque l'intervalle entre les éclatements atteint 1 ou 2 secondes. Ne pas essayer de faire éclater des grains de maïs qui n'ont pas éclaté la première fois. Ne pas faire éclater le maïs dans des ustensiles en verre.

DÉPANNAGE

La plupart des problèmes de cuisson sont souvent causés par de petits détails que l'on peut découvrir et régler soi-même sans outillage. Voir les listes ci-dessous et à la page suivante avant de faire un appel pour assistance ou service. Si vous avez encore besoin d'aide, voir la section "Demande d'assistance ou de service".

SI LE FOUR À MICRO-ONDES NE FONCTIONNE PAS, VÉRIFIER D'ABORD CE QUI SUIT :

- Le four à micro-ondes est-il branché à un circuit actif avec la tension appropriée? (Voir les Instructions d'installation.)
- Un fusible est-il grillé ou le disjoncteur s'est-il ouvert?
- La compagnie d'alimentation électrique a-t-elle éprouvé une panne d'électricité?

AUTRES PROBLÈMES POSSIBLES ET LEURS CAUSES

PROBLÈME	CAUSE
Le four à micro-ondes ne fonctionne pas.	<ul style="list-style-type: none">● La porte n'est pas bien fermée et verrouillée.● Vous n'avez pas appuyé sur la touche START.● Vous n'avez pas suivi exactement les instructions.● Une fonction qui a été programmée précédemment est encore en opération.● Vous n'avez pas réglé le temps après avoir appuyé sur la touche COOK TIME.
Le temps de cuisson au micro-ondes semble être trop long.	<ul style="list-style-type: none">● L'alimentation électrique à votre foyer ou dans les prises de courant murales est faible ou plus basse que normalement. Votre compagnie d'électricité peut vous dire si la tension d'alimentation électrique est basse. Votre électricien ou technicien de service peut vous dire si la tension au niveau de la prise de courant est trop basse.● La puissance de chauffage n'est pas au réglage recommandé.● Les quantités d'aliments plus grandes ont besoin de temps de cuisson prolongé.
Le plateau rotatif ne tourne pas.	<ul style="list-style-type: none">● Le plateau rotatif n'est pas correctement en place. S'assurer que le plateau rotatif a le côté à l'endroit vers le haut et repose bien fixé sur la tige centrale.● L'appui ne fonctionne pas correctement. Enlever le plateau rotatif. Vérifier que son appui est bien en place et remettre le four en marche. Si l'appui du plateau rotatif ne bouge pas, faire venir un technicien de service autorisé pour la réparation. La cuisson sans le plateau rotatif donne des résultats médiocres.
L'affichage montre un compte à rebours, mais le four n'exécute pas la cuisson.	<ul style="list-style-type: none">● La porte du four n'est pas complètement fermée.● Vous avez réglé les commandes comme une minuterie de cuisine. Appuyer sur OFF/CANCEL pour annuler la minuterie.
On n'entend pas les signaux sonores de programmation.	<ul style="list-style-type: none">● La commande n'est pas correcte.
Le ventilateur semble tourner plus lentement que d'habitude.	<ul style="list-style-type: none">● Le four a été rangé dans un endroit froid. Le ventilateur fonctionnera plus lentement jusqu'à ce que le four se réchauffe à la température normale de la pièce.
L'afficheur indique " : ".	<ul style="list-style-type: none">● Il y a eu une panne d'électricité. Régler de nouveau l'horloge.

Si aucune de ces situations ne cause votre problème, voir la section "Demande d'assistance ou de service".

DEMANDE D'ASSISTANCE OU DE SERVICE

Pour éviter des visites de service non nécessaires, veuillez consulter la section "Dépannage". Cette action peut vous faire économiser le coût d'une visite de service. Si vous avez encore besoin d'assistance, suivre les instructions ci-dessous.

SI VOUS AVEZ BESOIN D'ASSISTANCE :

Téléphoner au Centre d'interaction avec la clientèle Inglis Limitée, entre 8 h 30 et 17 h 30 HNE en composant sans frais d'interurbain le 1-800-461-5681. Nos consultants sont disponibles pour vous aider.



Lors de l'appel :

Veillez connaître la date d'achat, et les numéros au complet du modèle et de série de votre appareil (voir la section "Note à l'utilisateur"). Ces renseignements nous aideront à mieux répondre à votre demande.

SI VOUS AVEZ BESOIN DE PIÈCES OU DE SERVICE :

Communiquer avec le service Inglis Limitée de partout au Canada en composant le **1-800-807-6777**.

POUR PLUS D'ASSISTANCE :

Si vous avez besoin de plus d'assistance, vous pouvez écrire à Inglis Limitée en soumettant toute question ou problème au :

Centre d'interaction avec la clientèle
Inglis Limitée
1901 Minnesota Court
Mississauga, Ontario L5N 3A7

Veillez indiquer dans votre correspondance un numéro de téléphone où l'on peut vous joindre le jour.

GARANTIE

FOUR À MICRO-ONDES AVEC HOTTE WHIRLPOOL®

DURÉE DE LA GARANTIE	WHIRLPOOL CORPORATION ET INGLIS LIMITÉE PAIERONT POUR
GARANTIE COMPLÈTE DE DEUX ANS À COMPTER DE LA DATE D'ACHAT	Le remplacement des pièces de rechange FSP® et la main-d'oeuvre pour réparer les vices de matériaux ou de fabrication. Les réparations doivent être effectuées par une compagnie de service désignée par Whirlpool.
GARANTIE LIMITÉE DE LA TROISIÈME À LA CINQUIÈME ANNÉE INCLUSIVEMENT À COMPTER DE LA DATE D'ACHAT	Le remplacement du tube magnétron FSP® du four sur les fours à micro-ondes, en cas de vice de matériaux ou de fabrication.
WHIRLPOOL CORPORATION ET INGLIS LIMITÉE NE PAIERONT PAS POUR	
<p>A. Les appels de service pour :</p> <ol style="list-style-type: none"> 1. Rectifier l'installation d'un four à micro-ondes avec hotte. 2. Donner des instructions quant à l'utilisation du four à micro-ondes avec hotte. 3. Remplacer les fusibles ou rectifier l'installation électrique de la maison. 4. Remplacer les ampoules d'éclairage accessibles au propriétaire. <p>B. Les réparations imputables à une utilisation du four à micro-ondes avec hotte autre que l'utilisation normale dans une résidence unifamiliale.</p> <p>C. Transport pour aller chercher et livrer l'appareil. Ce produit est conçu pour être réparé à la maison.</p> <p>D. Dommages à votre four à micro-ondes avec hotte résultant d'accident, modification, mésusage, abus, incendie, inondation, actes de Dieu, ou l'emploi de produits non approuvés par Whirlpool Corporation ou Inglis Limitée.</p> <p>E. Tous les coûts de main-d'oeuvre au cours de la garantie limitée.</p> <p>F. Réparations de pièces ou systèmes imputables à des modifications non approuvées de l'appareil.</p> <p>G. Coûts des pièces de rechange et de la main d'oeuvre pour les appareils utilisés hors du Canada.</p> <p>H. Les dépenses de voyage ou de transport pour les clients qui habitent dans des régions éloignées.</p>	

5/00

WHIRLPOOL CORPORATION ET INGLIS LIMITÉE DÉCLINENT TOUTE RESPONSABILITÉ AU TITRE DE DOMMAGES SECONDAIRES OU INDIRECTS. Certaines provinces n'admettent pas l'exclusion ou la limitation des dommages secondaires ou indirects; par conséquent, cette limitation ou exclusion peut ne pas vous être applicable. Cette garantie vous confère des droits juridiques spécifiques; vous pouvez également jouir d'autres droits, variables d'une province à une autre.

À l'extérieur du Canada, cette garantie ne s'applique pas. Contacter votre marchand Whirlpool autorisé pour déterminer si une autre garantie s'applique.

Si vous avez besoin d'assistance, voir d'abord la section "Dépannage" dans ce livret. Après avoir consulté "Dépannage", une aide additionnelle peut être obtenue dans la section "Demande d'assistance ou de service" ou en téléphonant à notre Centre d'interaction avec la clientèle au numéro **1-800-461-5681**, ou en écrivant à : Centre d'interaction avec la clientèle, Inglis Limitée, 1901 Minnesota Court, Mississauga, Ontario L5N 3A7. Pour le service, composer le **1-800-807-6777**.